



Filters & Combiners

DATA SHEET

Wideband 0.6 to 6 GHz Hybrid Combiner

HLO-66-2xx



- Wideband Hybrid Combiner with Integrated Load covering 600 - 6000 MHz
- Compact twin unit with excellent return loss
- High in-band isolation of 25 dB
- Outdoor capable unit rated at IP67
- Very low PIM
- High power Handling 300W (150w per input port) and 3KW peak
- RoHS and AISG compliant

Overview

CCI's Wideband 2-Way Hybrid Combiner with Integrated Load provides a solution where combining two RF inputs into one output is required. The unit is housed in a weatherproof outdoor enclosure for outdoor basestation or tower mount applications.

Technical Description:

CCI's Outdoor Wideband 2-Way Hybrid Combiner with Integrated Load covers the full 600 - 6000 MHz spectrum. The unit is housed in an IP67 moisture proof enclosure, with IP67 moisture proof connectors suited for long-life. The combiner can be wall or pole mounted.



Filters & Combiners

SPECIFICATIONS

Wideband 0.6 to 6 GHz Hybrid Combiner

HLO-66-2xx

Electrical

RF Parameters	Ports	Frequency(MHz)	Specification
Insertion Loss	Port 1/Port 2 to COM	600 - 6000	3.1 dB ± 1.0 dB
Isolation	Port 1 to Port 2	600 - 3800	25 dB typical, 22 dB minimum
		3800 - 6000	23 dB typical, 18 dB minimum
Return Loss	All Ports	600 - 3800	20 dB typical, 19 minimum
		3800 - 6000	18 dB typical, 17.5 minimum

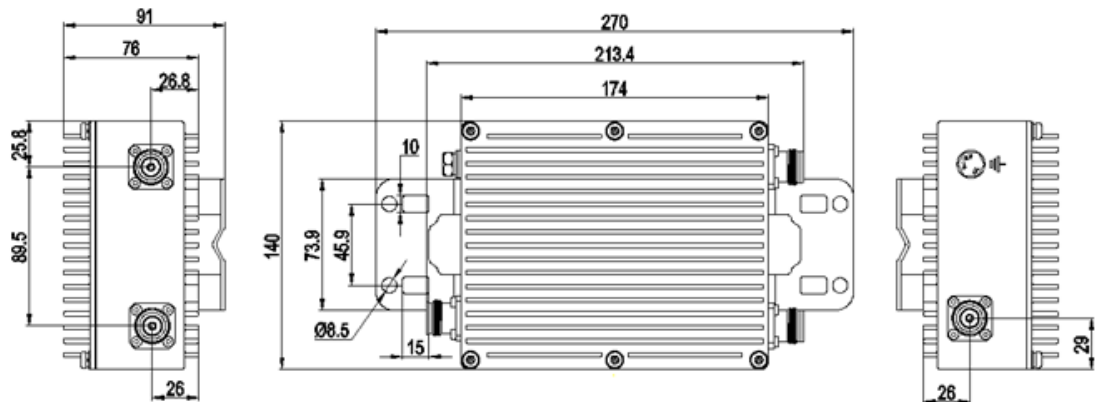
General Characteristics	
Impedance	50 ohms
Continuous Average Power	300W maximum (150W per input port)
Peak Envelope Power	3 kW maximum
Intermodulation Performance	<-160 dBc (-117 dBm) minimum
DC Pass Current/AISG Pass	DC path: Port 2 to COM (max 2.5 A per AISG 2.0)

Environmental

Operating Temperature	-40 °C to +65 °C
Ingress Protection	IP67
Relative Humidity	0 - 95%

Mechanical

Parameters	HYL-66-2Sx (Single)	HYL-67-2Tx (Twin)
Input Connectors	7-16 or 4.3-10 female × 2	7-16 or 4.3-10 female × 4
Output Connectors	7-16 or 4.3-10 female × 1	7-16 or 4.3-10 female × 2
Dimensions (body w/ connectors only)(HxWxD)	8.40 × 5.51 × 3.00 in. (213.4 × 140.0 × 76 mm)	NA
Dimensions (incl. brackets)(HxWxD)	10.63 × 5.51 × 3.59 in. (270.0 × 140.0 × 91.0 mm)	10.63 × 5.51 × 7.09 in. (270.0 × 140.0 × 180.0 mm)
Weight with brackets	2.87 lbs (1.3 kg)	6.00 lbs (2.72 kg)
Mounting	Pole/Wall mounting bracket	



2-Way Hybrid Combiner with Integrated Load Outline Drawing



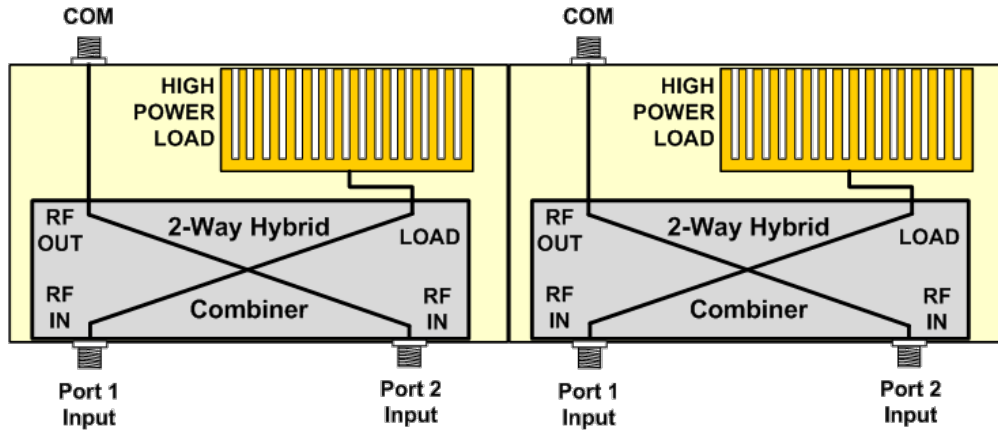
Filters & Combiners

SPECIFICATIONS

Wideband 0.6 to 6 GHz Hybrid Combiner

HLO-66-2xx

Block Diagram



2 Way Hybrid Twin Combiner with Integrated Load Block Diagram



Filters & Combiners

STANDARDS & CERTIFICATIONS

Wideband 0.6 to 6 GHz Hybrid Combiner

HLO-66-2xx

Parts & Accessories

- HLO-66-2S1** Outdoor Wideband 2-Way Hybrid Combiner with Integrated Load and 7-16 DIN Connectors
- HLO-66-2S2** Outdoor Wideband 2-Way Hybrid Combiner with Integrated Load and 4.3-10 Connectors
- HLO-66-2T1** Outdoor Wideband 2-Way Twin Hybrid Combiner with Integrated Load and 7-16 DIN Connectors
- HLO-66-2T2** Outdoor Wideband 2-Way Hybrid Twin Combiner with Integrated Load and 4.3-10 Connectors

Standards & Compliance

- Safety** EN 60950-1, UL 60950-1
- Emission** EN 55022
- Immunity** EN 55024
- Environmental** IEC 60068-2-1, IEC 60068-2-2, IEC 60068-2-5, IEC 60068-2-6, IEC-60068-2-11, IEC 60068-2-14, IEC 60068-2-18, IEC 60068-2-27, IEC 60068-2-29, IEC 60068-02-30, IEC 60068-2-52, IEC 60068-2-64, GR-63-CORE 4.3.1, EN 60529 IP65 & IP67

Certifications

Antenna Interface Standards Group (AISG), Federal Communication Commission (FCC) Part 15 Class B, CE, CSA US, ISO 9001



CCI | Communication Components Inc.

EXTENDING WIRELESS PERFORMANCE