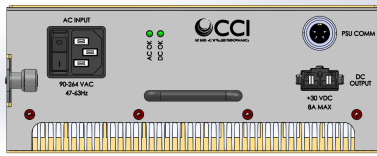




## 300W AC/DC PSU for SDAR MPA

PSU-300-30

DATA SHEET



- +30.0 VDC Output
- High Reliability
- 88% typical efficiency (>70% of rated load)
- LED's for POWER, DC OK and FAN

### Overview

Communication Components, Inc. 300W AC/DC Power Supply provides a power for the SDAR Medium Power Amplifier (MPA), will be used in the SDAR Terrestrial 20W Repeater System.

### Technical Description:

The CCI-SXM 300W AC/DC Switching Power Supply is designed exclusively for the SDAR 20W repeater. The power supply is PMBus compliant and communicates with the CCI-SXM MPA-2332-35 via I<sup>2</sup>C interface.



Electrical Specification

General Characteristics	
AC Input	90 - 264VAC (47 - 63 Hz)
Input Current	3.14A (110 VAC), 1.57A (220 VAC)
Inrush Current	25A peak typical (110 VAC)
Output Voltage	30.0 VDC Nominal
Output Current	10.4 ADC maximum
Power Factor	0.95 minimum
Ripple and Noise	150 mV p-p
Overcurrent Protection	105 - 140% (Auto Recovery)
Efficiency	88% typical
Overvoltage Protection	37.5 VDC
Withstanding Voltage	Input to Output 3 KVAC, Input to Ground 1.5 KVAC, Output to Ground 0.5 KVAC

Environmental Specification

Operating Temperature	-20 °C to +70 °C
Operating Humidity Range	20 - 90 %
MTBF	129,800 Hours

Mechanical Specification

Input Connection	Shurter DC11.0001.401 12A Entry Module w/2-pole sw
Output Connection	Molex 42818-0212 (2 position)
PSU COMM	Amphenol 4 pin C09131G100 Series (IP67 rated)
Cooling Required	+23.5 CFM for full load, Convection for 80% load
Dimensions - (L x W x H)	11.96 x 8.55 x 3.375 in. (303.8 x 217.2 x 85.7 mm)
Weight	11.5 lbs. (5.3 kg)
Mounting	19 inch rack mountable (using a 2U shelf)

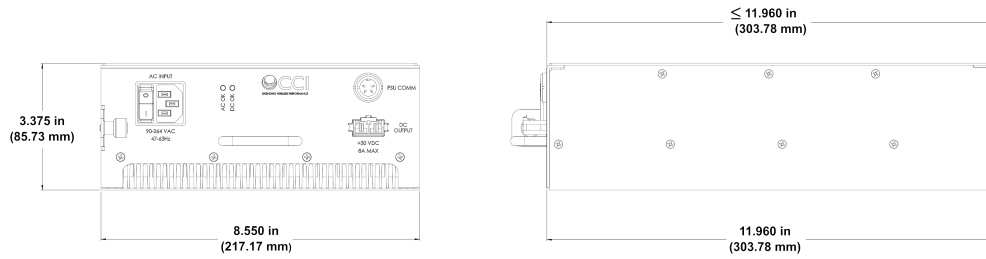
Pin Number	Description
1	SDA1
2	SCL1
3	NC
4	GND
PSU-300-30 300W AC/DC Power Supply for SDAR Repeater MPA PSU COMM connector Pinout	



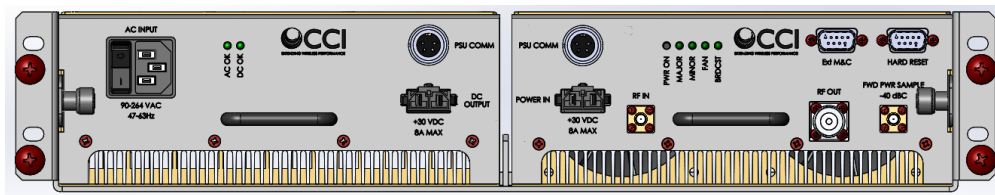
SPECIFICATIONS

300W AC/DC PSU for SDAR MPA

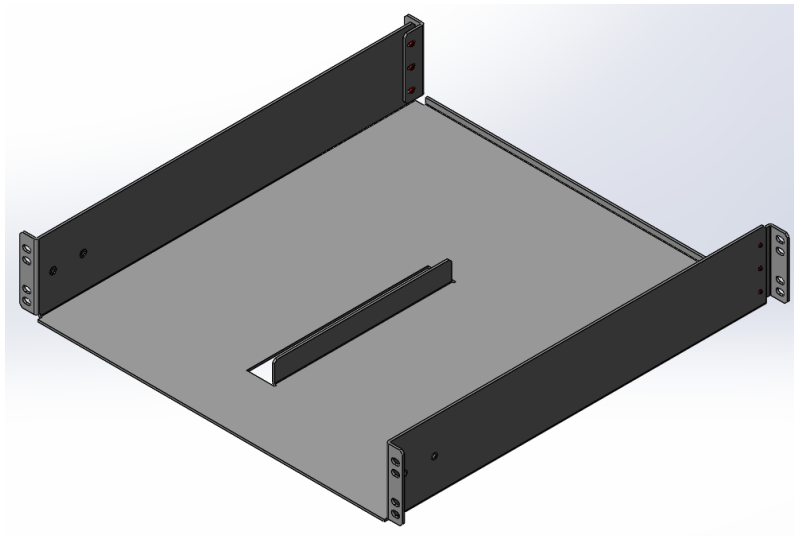
PSU-300-30



PS-300-30 300W AC/DC Power Supply for SDAR Repeater MPA Outline Drawing



SXM-35W-MPA-SYS-1 System Level Model Number for the SDAR Terrestrial 20W Repeater System (includes 35W SDAR Medium Power Amplifier +29.0 VDC Power Supply & 2U Tray)



TRA-19-2U (3D Render of 2U Tray used to mount the PSU-300-28 & MPA-2332-35)



STANDARDS &  
CERTIFICATIONS

300W AC/DC PSU for SDAR MPA

PSU-300-30

Parts & Accessories

**PSU-300-30** AC/DC Power Supply (300W, +30.0 VDC)

**MPA-2332-35** 35W SDAR Medium Power Amplifier

**TRA-19-2U** 2U (3.5") Rack Mountable Shelf

Standards & Compliance

**Safety** UL 60950-1, TUV EN 60950-1 approved

**EMI Conduction and Radition** Compliant to EN 55022 Class B

**Harmonic Current** Compliant to EN 61000-3-2

Certifications