

- Six foot (1.8 m) multiband, twelve port antenna with a 65° azimuth beamwidth covering 698-896 MHz and 1695-2400 MHz frequencies
- Eight high band ports covering 1695-2400 MHz and four low band ports covering 698-896 MHz in a single antenna enclosure
- Innovative Low and High Band Array configuration allows for 4T4R (4x4 MIMO) on Low Band and Dual 4T4R (4x4 MIMO) High Band Arrays, using full length arrays (non stacked), all in a 20.7" (525 mm) width enclosure, an Industry First
- Full Spectrum Compliance for WCS and AWS-3 frequencies and Band 14 Operations
- Array configuration allows for 4T4R (4X4 MIMO) on Low Band, essential for Band 14 Operations
- LTE Optimized FBR and SPR performance, providing for an efficient use of valuable radio capacity
- LTE Optimized Boresight and Sector XPD and USL performance, essential for LTE Performance
- Exceeds minimum PIM performance requirements
- Equipped with new 4.3-10 connector, which is 40% smaller than traditional 7/16 DIN connector
- Ordering options for External RET Controllers (Type 1) or Internally Integrated RET Controllers (Type 17)

### Overview

The CCI 12-Port multiband array is a twelve port antenna, with eight wide band ports covering 1695-2400 MHz and four low band ports covering 698-896 MHz. The antenna provides the capability to deploy Dual 4x4 Multiple-input Multiple-output (MIMO) in the high band and 4X4 Multiple-input Multiple-output (MIMO) across low band ports. The CCI 12-Port allows independent tilt control between the low band ports and high band ports and independent tilt control between left and right antenna arrays.

In this three RET configuration, the 1st RET is dedicated for the four Low Band ports. The 2nd RET is dedicated for the four Left High Band ports and the 3th RET is dedicated for the four Right High Band ports. This RET arrangement allows for complete flexibility in coverage control between left and right antenna arrays.

CCI antennas are designed and produced to ISO 9001 certification standards for reliability and quality in our state-of-the-art manufacturing facilities.

### Applications

- Dual 4x4 MIMO for the High Band and 4X4 MIMO Low Band ports
- Ready for Network Standardization on 4.3-10 DIN connectors
- With CCI's multiband antennas, wireless providers can connect multiple platforms to a single antenna, reducing tower load, lease expense, deployment time and installation costs



Electrical

Ports	4 x Low Band Ports for 698-896 MHz	
Frequency Range	698-806 MHz	824-896 MHz
Gain <sup>1</sup>	14.5 dBi	15.1 dBi
Gain (Average) <sup>2</sup>	13.6 dBi	14.4 dBi
Azimuth Beamwidth (-3dB)	73°	63°
Elevation Beamwidth (-3dB)	12.8°	11.1°
Electrical Downtilt	2° to 12°	2° to 12°
Elevation Sidelobes (1st Upper)	< -17 dB	< -17 dB
Front-to-Back Ratio @180°	> 30 dB	> 35 dB
Front-to-Back Ratio ±20°	> 28 dB	> 30 dB
Cross-Polar Discrimination at Peak	> 25 dB	> 25 dB
Cross-Polar Discrimination at Sector <sup>2</sup>	11.2 dB	12.1 dB
Cross-Polar Port-to-Port Isolation	> 25 dB	> 25 dB
Voltage Standing Wave Ratio (VSWR)	< 1.5:1	< 1.5:1
Passive Intermodulation (2x20W)	≤ -153 dBc	≤ -153 dBc
Input Power Continuous Wave (CW)	500 watts	500 watts
Polarization	Dual Linear 45°	Dual Linear 45°
Input Impedance	50 ohms	50 ohms
Lightning Protection	DC Ground	DC Ground

<sup>1</sup>Peak gain across sub-bands.

<sup>2</sup>Electrical specifications follow document "Recommendation on Base Station Antenna Standards" (BASTA) V9.6.

Ports	8 x High Band Ports for 1695-2400 MHz			
Frequency Range	1695-1880 MHz	1850-1990 MHz	1920-2180 MHz	2300-2400 MHz
Gain <sup>1</sup>	17.8 dBi	18.1 dBi	18.4 dBi	18.0 dBi
Gain (Average) <sup>2</sup>	16.6 dBi	17.0 dBi	17.3 dBi	16.9 dBi
Azimuth Beamwidth (-3dB)	70°	66°	66°	60°
Elevation Beamwidth (-3dB)	5.7°	5.2°	4.8°	4.0°
Electrical Downtilt	0° to 8°	0° to 8°	0° to 8°	0° to 8°
Elevation Sidelobes (1st Upper)	< -16 dB	< -16 dB	< -16 dB	< -16 dB
Front-to-Back Ratio @180°	> 35 dB	> 35 dB	> 35 dB	> 35 dB
Front-to-Back Ratio ±20°	> 30 dB	> 30 dB	> 30 dB	> 30 dB
Cross-Polar Discrimination at Peak	> 18 dB	> 18 dB	> 18 dB	> 20 dB
Cross-Polar Discrimination at Sector <sup>2</sup>	12.4 dB	10.4 dB	10.8 dB	8.5 dB
Cross-Polar Port-to-Port Isolation	> 25 dB	> 25 dB	> 25 dB	> 25 dB
Voltage Standing Wave Ratio (VSWR)	< 1.5:1	< 1.5:1	< 1.5:1	< 1.5:1
Passive Intermodulation (2x20W)	≤ -153 dBc	≤ -153 dBc	≤ -153 dBc	≤ -153 dBc
Input Power Continuous Wave (CW)	300 watts	300 watts	300 watts	300 watts
Polarization	Dual Linear 45°	Dual Linear 45°	Dual Linear 45°	Dual Linear 45°
Input Impedance	50 ohms	50 ohms	50 ohms	50 ohms
Lightning Protection	DC Ground	DC Ground	DC Ground	DC Ground

<sup>1</sup>Peak gain across sub-bands.

<sup>2</sup>Electrical specifications follow document "Recommendation on Base Station Antenna Standards" (BASTA) V9.6.



SPECIFICATIONS

Multi-Band Twelve-Port Antenna

TPA65R-BU6D

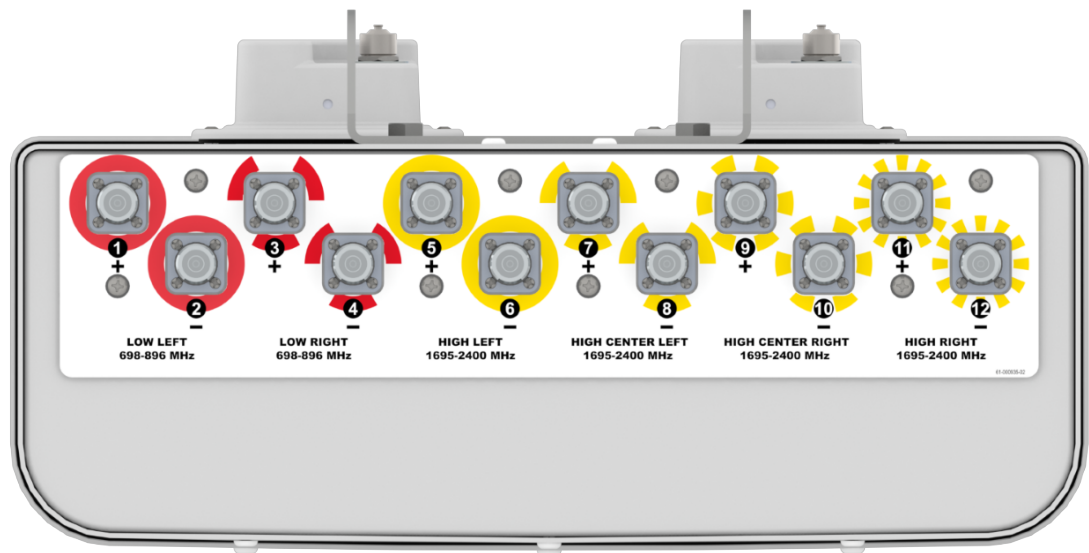
Mechanical

Dimensions (LxWxD)	71.2x20.7x7.7 in (1808x525x197 mm)
Survival Wind Speed	> 150 mph (> 241 kph)
Front Wind Load	325 lbs (1446 N) @ 100 mph (161 kph)
Side Wind Load	144 lbs (642 N) @ 100 mph (161 kph)
Equivalent Flat Plate Area	12.7 ft <sup>2</sup> (1.2 m <sup>2</sup> )
Weight *	68.3 lbs (31.0 kg)
Packaging Dimensions (LxWxD)	81.4x25.2x13.9 in (2067x641x354 mm)
Packaged Weight ~	116.8 lbs (53.0 kg)
Connector	12 x 4.3-10 female
Mounting Pole	2 to 5 in (5 to 12 cm)

\* Weight excludes mounting

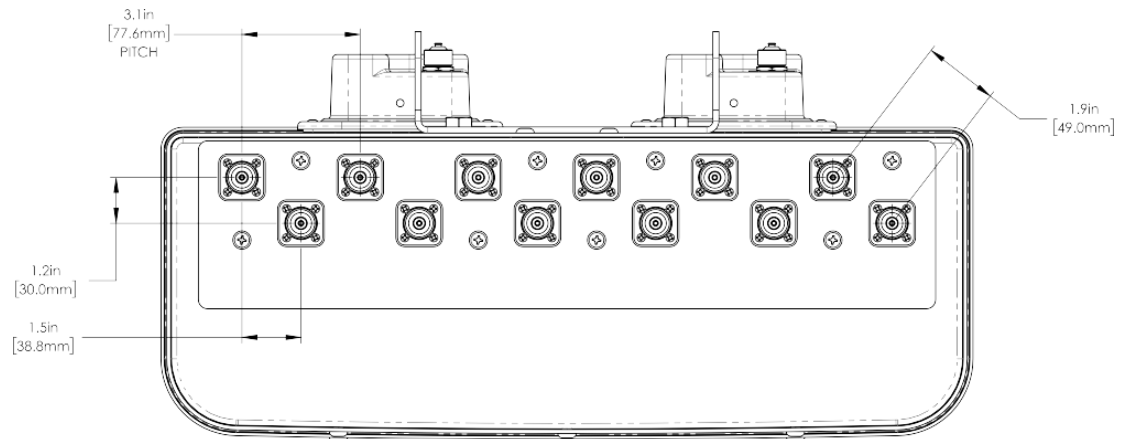
Bottom View

TPA65R-BU6DA



Connector Spacing

TPA65R-BU6DA





SPECIFICATIONS

Multi-Band Twelve-Port Antenna

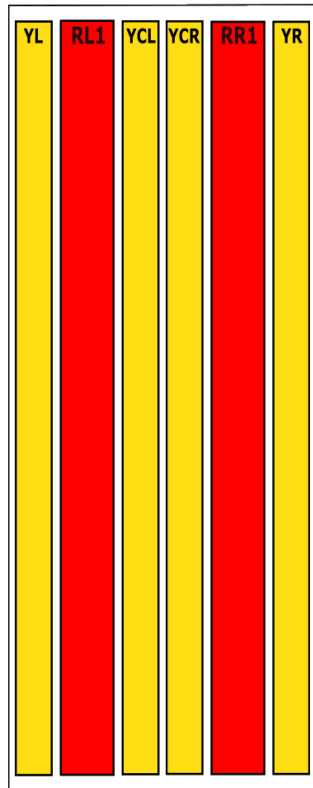
TPA65R-BU6D

Mechanical

RET to Element Configuration

TPA65R-BU6DA Element and RET configuration (Type 1 External RET)

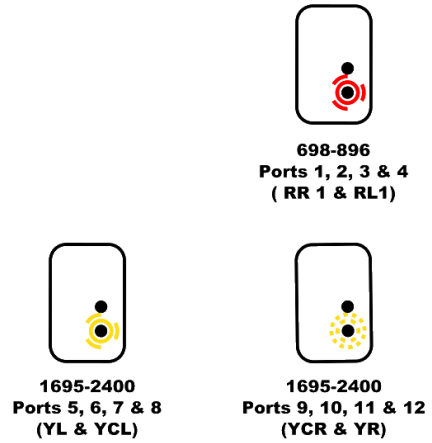
**Top of antenna  
Viewed from rear**



Mechanical

**RET placement  
as viewed from rear  
of antenna**

Top of antenna



Array	Ports	Freq (MHz)	Ports controlled by common RET
RL1	1, 2	698-896	1, 2, 3, 4
RR1	3, 4	698-896	
YL	5, 6	1695-2400	5, 6, 7, 8
YCL	7, 8	1695-2400	
YCR	9,10	1695-2400	9, 10, 11, 12
YR	11,12	1695-2400	



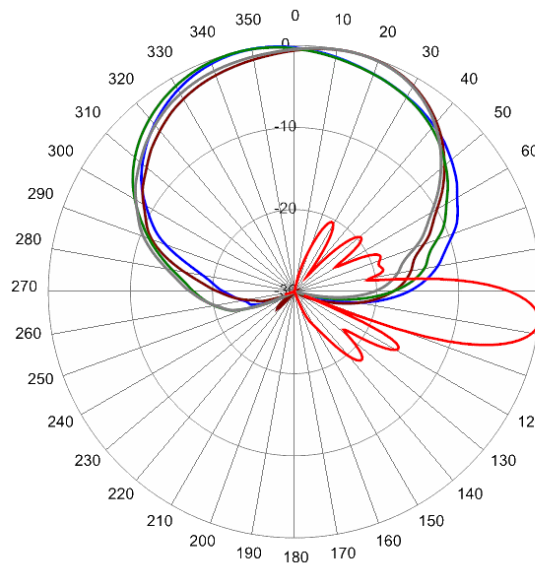
SPECIFICATIONS

Multi-Band Twelve-Port Antenna

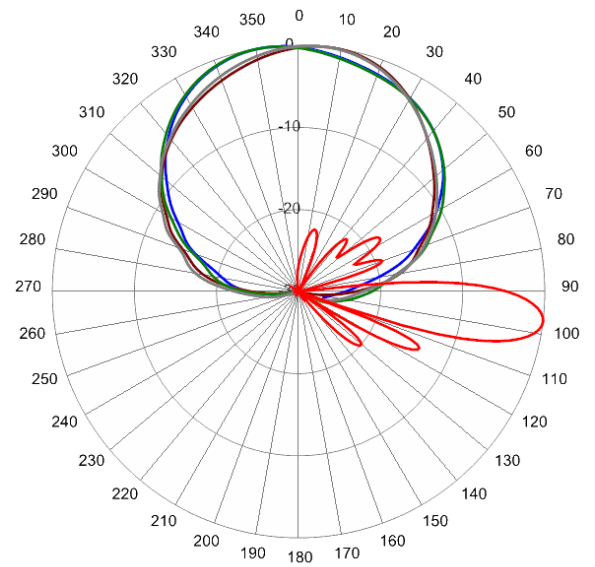
TPA65R-BU6D

Typical Antenna Patterns

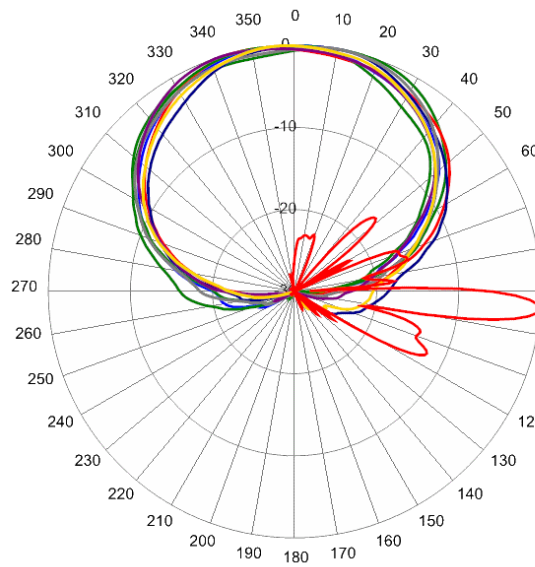
For detailed information on additional antenna patterns, contact customer support at support@cciproducts.com



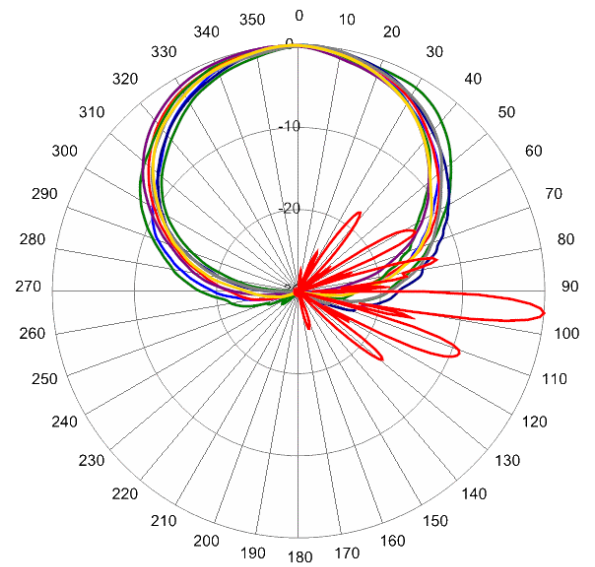
734 MHz Azimuth with Elevation 7°



880 MHz Azimuth with Elevation 7°



1720 MHz Azimuth with Elevation 4°



2155 MHz Azimuth with Elevation 4°



Parts & Accessories

<b>TPA65R-BU6DA-K</b>	Six foot (1.8 m) antenna with 65° azimuth beamwidth, 4.3-10 female connectors, 3 factory installed BSA-RET200 RET actuators (Type 1 External) and MBK-16 mounting bracket
<b>TPA65R-BU6DB-K</b>	Six foot (1.8 m) antenna with 65° azimuth beamwidth, 4.3-10 female connectors, 3 factory installed BSA-RET400 RET actuators (Type 17 Internal) and MBK-16 mounting bracket
<b>MBK-16</b>	Mounting Kit with fixed 0° mechanical tilt
<b>MBK-01</b>	Mounting bracket kit (top and bottom) with 0° to 10° mechanical tilt adjustment
<b>BSA-RET200</b>	Type 1 External Remote Electrical Tilt System (RET)
<b>BSA-RET400</b>	Type 17 Internal Remote Electrical Tilt System (RET)
<b>CBK-AG-RRU-002</b>	Antenna with 2 Type 1 RET to RRU AISG cable kit
<b>CBK-RA-AG-RRU-005</b>	Antenna with 2 Type 1 RET to RRU AISG right angle cable kit
<b>AISGC-M-F-10FT</b>	10 Ft (3 m) Male/Female RRU to Antenna AISG cable

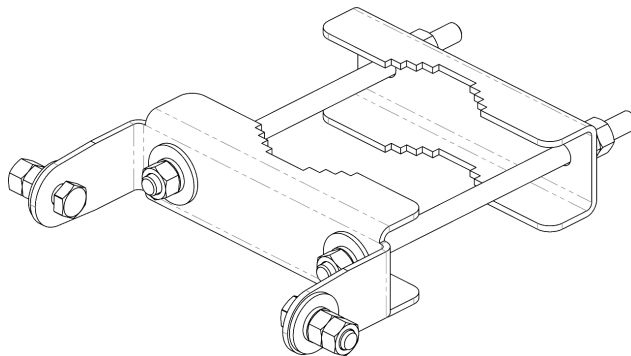
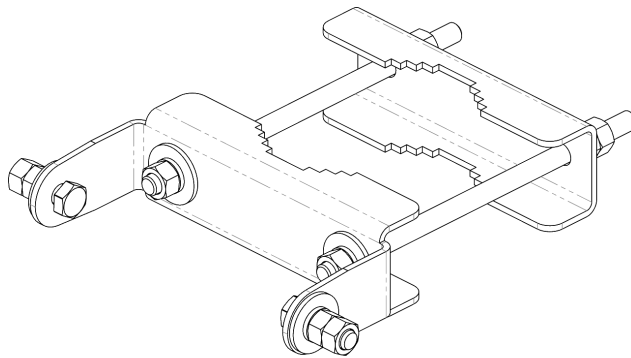


Mounting Bracket Kit

MBK-16

Mechanical

<b>Weight</b>	9.9 lbs (4.5 kg)
<b>Hinge Pitch</b>	47.25 in (1200 mm)
<b>Mounting Pole Dimension</b>	2 to 5 in (5 to 12 cm)
<b>Fastener Size</b>	M12
<b>Installation Torque</b>	40 ft·lbs (54 N·m)
<b>Mechanical Tilt</b>	0°



MBK-16 Top and Bottom Bracket

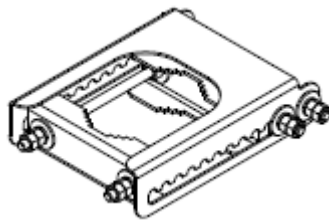


Mounting Bracket Kit

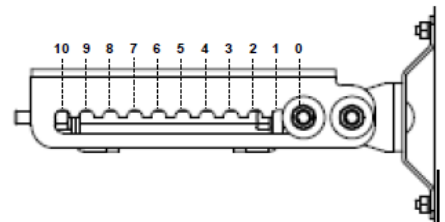
MBK-01

Mechanical

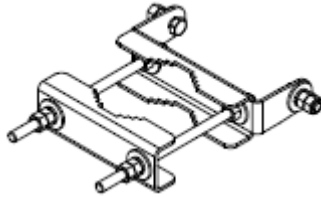
<b>Weight</b>	12.6 lbs (5.7 kg)
<b>Hinge Pitch</b>	47.25 in (1200 mm)
<b>Mounting Pole Dimension</b>	2 to 5 in (5 to 12 cm)
<b>Fastener Size</b>	M12
<b>Installation Torque</b>	40 ft·lb (54 N·m)
<b>Mechanical Tilt Adjustment</b>	0° - 10°



MBK-01 Top Adjustable Bracket



MBK-01 Top Adjustable Bracket Side View



MBK-01 Bottom Fixed Bracket





### Remote Electrical Tilt Actuator (RET)

BSA-RET200

#### General Specifications

Part Number	BSA-RET200
Protocols	AISG 2.0
RET Type	Type 1
Adjustment Cycles	>10,000 cycles
Tilt Accuracy	±0.1°
Temperature Range	-40° C to 70° C

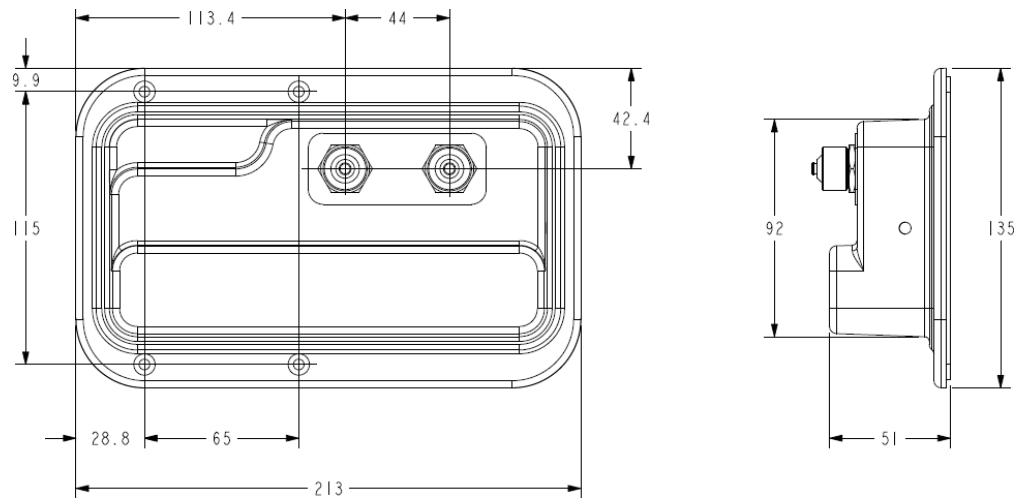
#### Electrical

Data Interface Signal	DC
Input Voltage	10-30 Vdc
Current Consumption Tilt	120 mA at $V_{in}=24$
Current Consumption Idle	55 mA at $V_{in}=24$
Hardware Interface	AISG-RS 485 A/B
Input Connector	Male 1 × 8 pin Daisy Chain
Output Connector	Female 1 × 8 pin Daisy Chain

#### Mechanical

Dimensions (LxWxD)	8.0x5.0x2.0 in. (213x135x51 mm)
Housing	ASA/ABS/Aluminum
Weight	1.7 lbs (0.75 kg)

ASA= Acrylic Styrene Acrylonitrile  
ABS=Acrylonitrile Butadiene Styrene





Internal Remote Electrical Tilt (iRET)

BSA-RET400

General Specifications

Part Number	BSA-RET400
Protocols	AISG 2.0
RET Type	Type 17
Adjustment Cycles	>10,000 cycles
Tilt Accuracy	±0.1°
Temperature Range	-40° C to 70° C

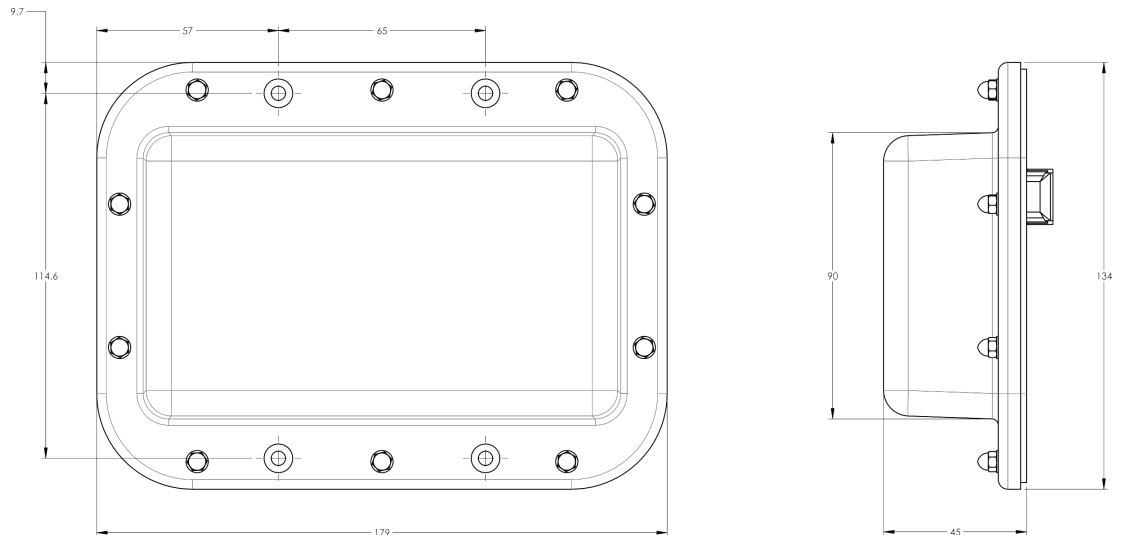
Electrical

Data Interface Signal	DC
Input Voltage	10-30 Vdc
Current Consumption Tilt	100 mA at V <sub>in</sub> =24 (500 mA MAX)
Current Consumption Idle	10 mA at V <sub>in</sub> =24

Mechanical

Dimensions (LxWxD)	7.0x5.3x1.8 in. (179x134x45 mm)
Housing	ASA/ABS/Aluminum
Weight	1.3 lbs (0.6 kg)

ASA= Acrylic Styrene Acrylonitrile  
ABS=Acrylonitrile Butadiene Styrene





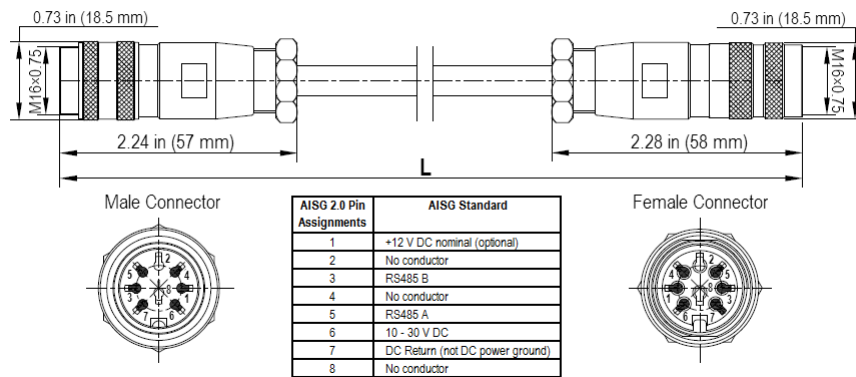
AISG Cable Kit

CBK-AG-RRU-002

Electrical/Mechanical/Environmental Specifications

	RET to RET Cables	RRU to Antenna Cables
Individual Cable Part Number	AISGC-M-F-34	AISGC-M-F-10FT
Cable style	UL2464	
Protocol	AISG 1.1 and AISG 2.0	
Maximum voltage	300 V	
Rated current	5 A at 104° F (40° C)	
Temperature Range	-40° to 80° C	
Flammability	UL 1581 VW-1	
Ingress Protection	IEC 60529:2001, IP67	
Tightening torque	Hand tighten only ≈ 1.84 ft-lbs (2.5 N·m)	
Construction	Shielded (Tinned Copper Braid)	
Braid coverage	85%	
Jacket Material	Matte Polyurethane (Black)	
Conductors	1 twisted pair - 24 AWG 3 conductors - 19 AWG AWM style 2464	
Cable Diameter	0.307 in (7.8 mm)	
Minimum bend radius	3.9 in (100 mm)	
Connectors	2 x 8 pin IEC 60130-9 Straight male/straight female	
Length	34 in (864 mm)	120 in (3048 mm)
Weight	0.33 lbs (0.15 kg)	0.69 lbs (0.31 kg)
Cables per kit	1	2

Mechanical Specifications



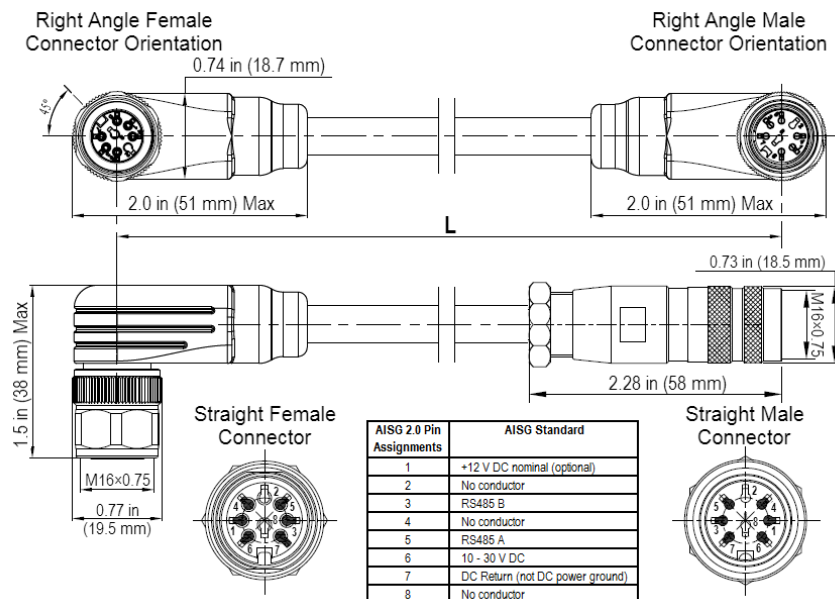
AISG-Male to AISG-Female Jumper Cable



Electrical/Mechanical/Environmental Specifications

	RET to RET Cables	RRU to Antenna Cables
Individual Cable Part Number	AISGC-MRA-FRA-36	AISGC-M-FRA-10FT
Cable style	UL2464	
Protocol	AISG 1.1 and AISG 2.0	
Maximum voltage	300 V	
Rated current	5 A at 104° F (40° C)	
Temperature Range	-40° to 80° C	
Flammability	UL 1581 VW-1	
Ingress Protection	IEC 60529:2001, IP67	
Tightening torque	Hand tighten only ≈ 1.84 ft-lbs (2.5 N·m)	
Construction	Shielded (Tinned Copper Braid)	
Braid coverage	85%	
Jacket Material	Matte Polyurethane (Black)	
Conductors	1 twisted pair - 24 AWG 3 conductors - 19 AWG AWM style 2464	
Cable Diameter	0.307 in (7.8 mm)	
Minimum bend radius	3.9 in (100 mm)	
Connectors	2 x 8 pin IEC 60130-9 Right angle male/right angle female	2 x 8 pin IEC 60130-9 Straight male/right angle female
Length	36 in (914 mm)	120 in (3048 mm)
Weight	0.23 lbs (0.10 kg)	0.77 lbs (0.35 kg)
Cables per kit	1	2

Mechanical Specifications



Right Angle to Right Angle and Right Angle to Straight Jumper Cable



AISG Cable

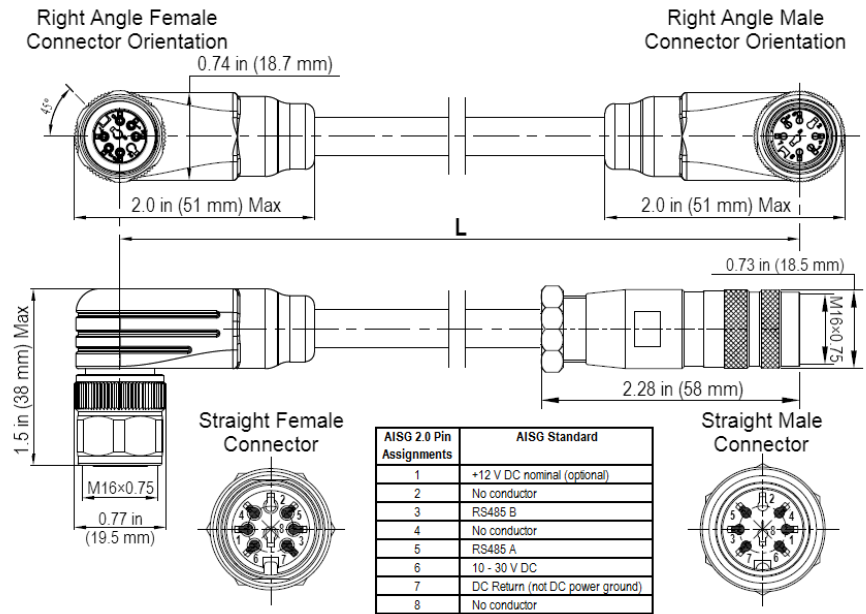
AISGC-M-F-xFT

Electrical Specifications

Individual Cable Part Number	AISGC-M-F-x(FT)
Cable style	UL2464
Protocol	AISG 1.1 and AISG 2.0
Maximum voltage	300 V
Rated current	5 A at 104° F (40° C)

Mechanical Specifications

Individual Cable Part Number	AISGC-M-F-x(FT)
Cables per kit	1
Connectors	2 x 8 pin IEC 60130-9 Straight male/straight female
Tightening torque	Hand tighten only $\approx$ 1.84 ft-lbs (2.5 Nm)
Construction	Shielded (Tinned Copper Braid)
Braid coverage	85%
Jacket Material	Matte Polyurethane (Black)
Conductors	1 twisted pair - 24 AWG 3 conductors - 19 AWG AWM style 2464
Cable Diameter	0.307 in (7.8 mm)
Length	See order details
Minimum bend radius	3.15 in (80 mm)



AISG-Male to AISG-Female Jumper Cable



Environmental Specifications

Individual Cable Part Number	AISGC-M-F-xFT
Temperature Range	-40° to 80° C
Flammability	UL 1581 VW-1
Ingress Protection	IEC 60529:2001, IP67



STANDARDS & CERTIFICATIONS

Multi-Band Twelve-Port Antenna

TPA65R-BU6D

Standards & Compliance

<b>Safety</b>	EN 60950-1, UL 60950-1
<b>Emission</b>	EN 55022
<b>Immunity</b>	EN 55024
<b>Environmental</b>	IEC 60068-2-1, IEC 60068-2-2, IEC 60068-2-5, IEC 60068-2-6, IEC-60068-2-11, IEC 60068-2-14, IEC 60068-2-18, IEC 60068-2-27, IEC 60068-2-29, IEC 60068-02-30, IEC 60068-2-52, IEC 60068-2-64, GR-63-CORE 4.3.1, EN 60529, IP 24

Certifications

Antenna Interface Standards Group (AISG), Federal Communication Commission (FCC) Part 15 Class B, CE, CSA US, ISO 9001

