

Fig. 1: Flush Mount Bracket BOM

Fig. 2: Flush Mount Bracket As Template

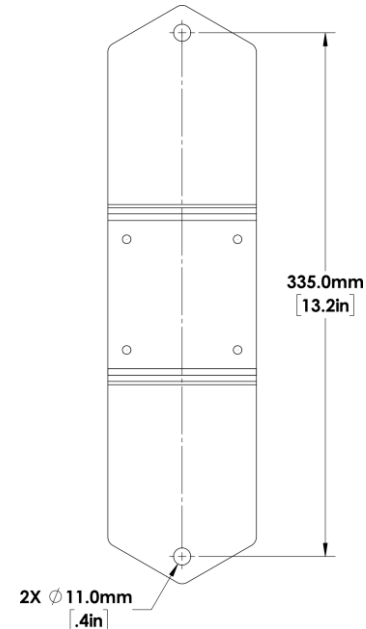
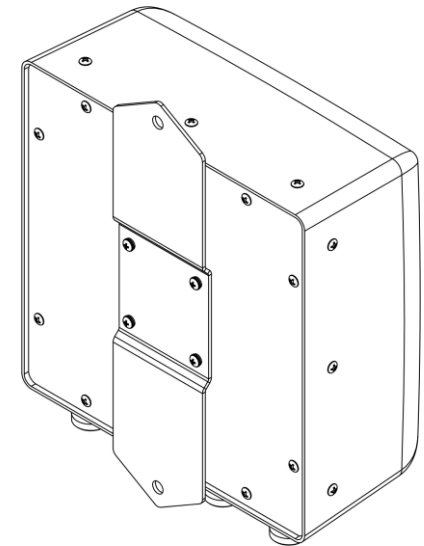


Fig. 3: Antenna w/Flush Mount Bracket Attached



ITEM	QTY	DESCRIPTION
1	1	BRACKET, FLUSH MOUNT, MBK-09
2	4	WASHER, SPLT LK, M5, SS
3	4	SCREW, PPH, M5-0.8 X 12L, SS

Step Task

- 1 Determine the location where the antenna is to be mounted as specified by the site engineer. Use the mast bracket (shown in Fig. 2) as a template and mark the wall (or other location) with two (2) 11.0 mm circles.
- 2 Drill (or use another appropriate tool) the wall/other with the correct size bit, in order to be able to use appropriate M10 hardware or equivalent, supplied by the customer for the mounting style being performed.

Step Task

- 3 Mount the Flush mount bracket to the antenna with the supplied M5 screws and split lock washers. Be sure to torque the M5 Screws to 2.5 N-m (1.8 ft-lbs).
- 4 Lift the antenna up to the wall (or other) location to continue assembly. Place the M10 (or equivalent) hardware in the outside holes of the flush mount bracket and hand-tighten with the appropriate tool. Be sure to then tighten the mounting fasteners to the proper torque value as required. Refer to Antenna Installation Guide.

DISCLAIMER:

The installation, maintenance, or removal of an antenna requires qualified, experienced personnel. You must refer to the appropriate local safety codes and ensure proper electrical and electromagnetic compatibility before proceeding with the installation. All local codes shall take precedence over information in this document. Antenna systems should be inspected once a year by qualified personnel to verify proper installation, maintenance, and condition of equipment. Communication Components Antennas Inc. disclaims any liability or responsibility for the results of improper or unsafe installation.