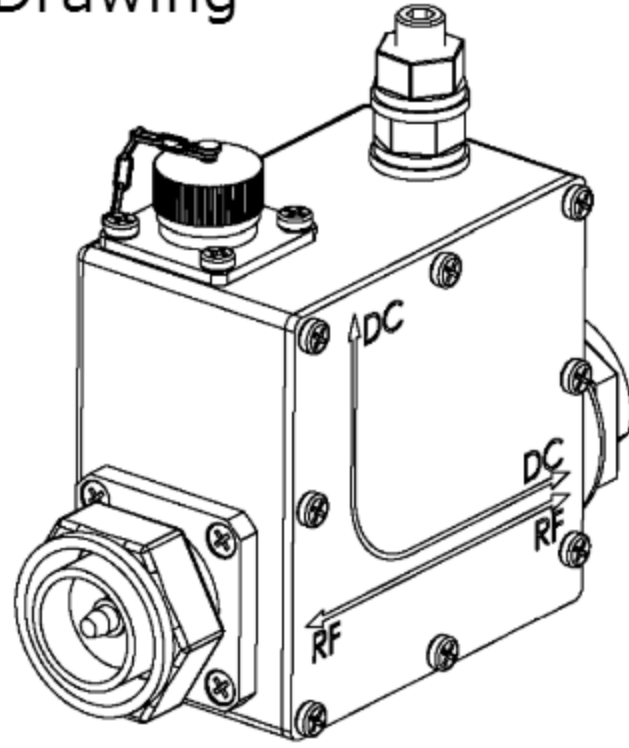


Outdoor Bias-T Outline Drawing (BT-0821-DMDF-AG-O)



7/16 DIN-Male
(RF Input)

8 Pin AISG Compliant
Circular Connector
per IEC 60130-9

Key Location

7/16 DIN-Female
(RF + DC + AISG Output)

M6 Grounding Stud

1.0 in.
(26.0 mm)

2.95 in.
(75.0 mm)

4.0 in.
(101.0 mm)

2.95 in.
(75.0 mm)

4.9 in.
(123.5 mm)

1.5 in.
(37.1 mm)