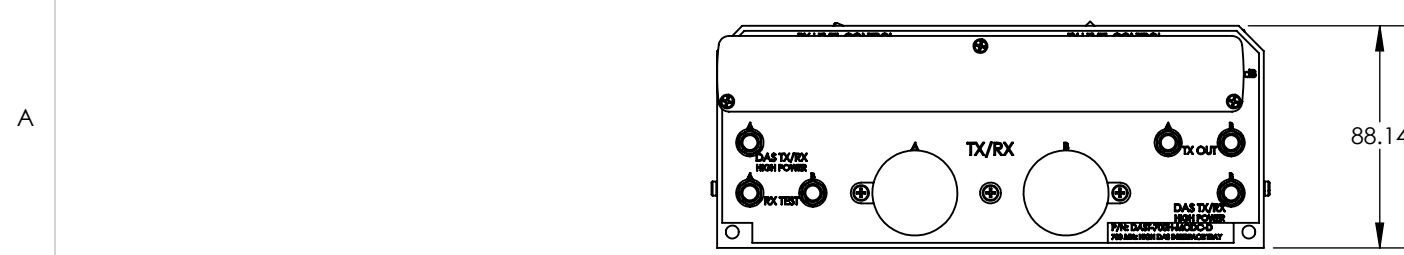
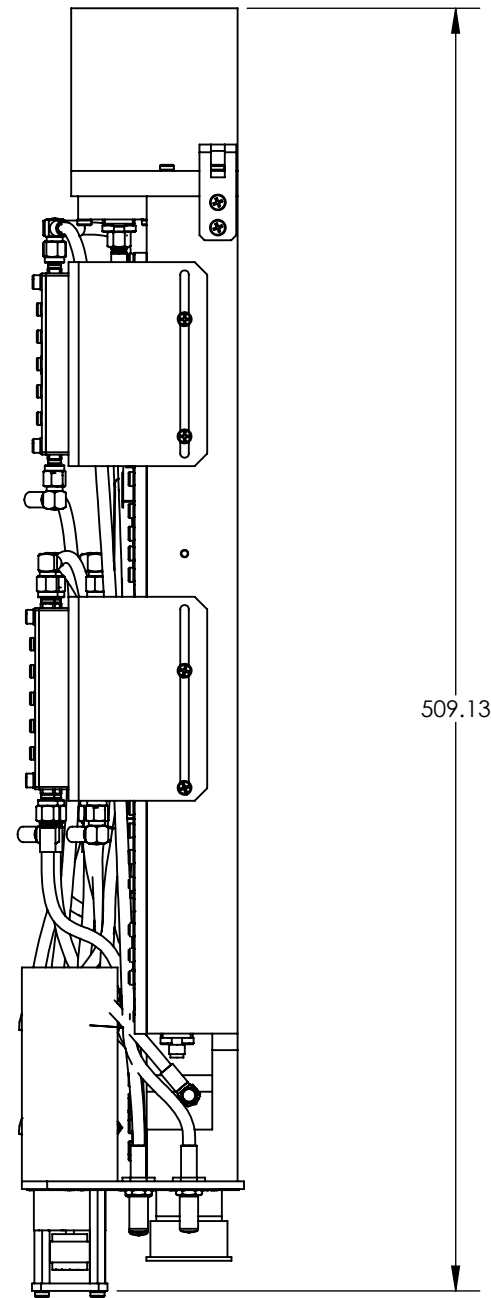
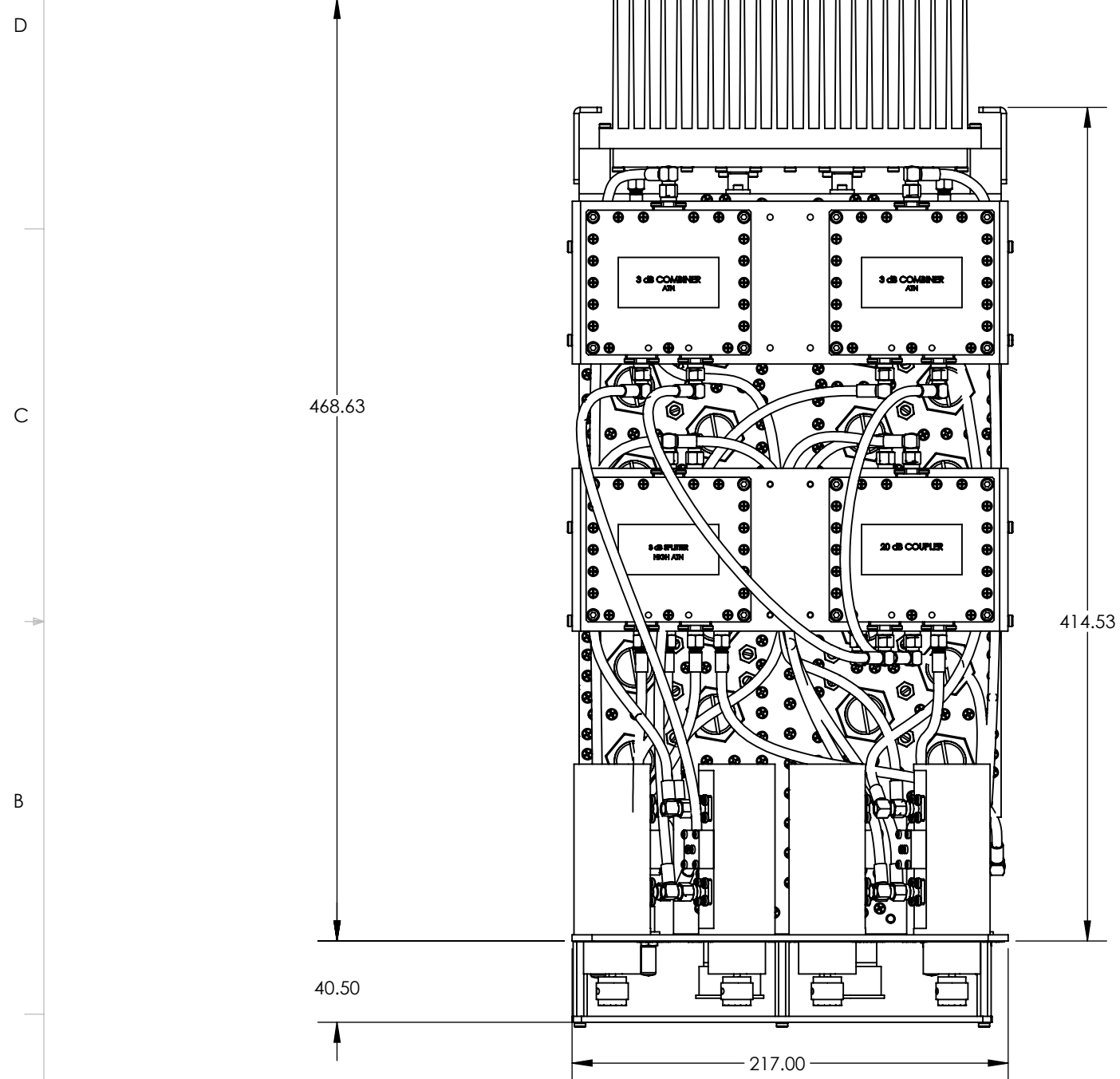

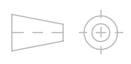


REVISIONS				
REV.	DESCRIPTION	DATE	APPROVED	DCN #
P1	INITIAL RELEASE	10-16-13	T.F.	
P2	EDITED ERRORS IN VARIOUS VIEWS	11-01-13	T.F.	



301-0185-01

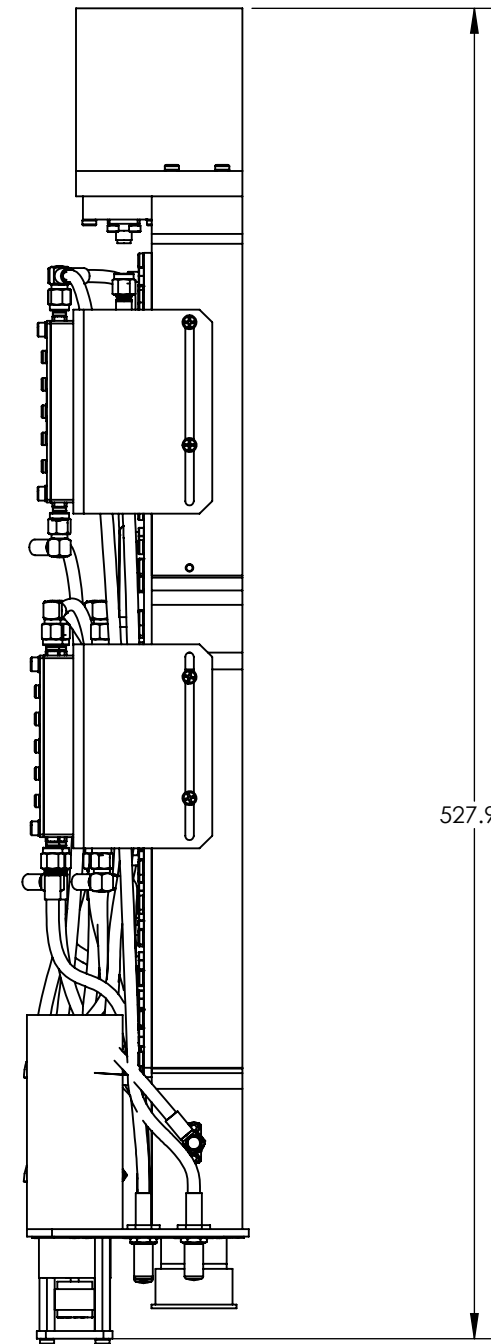
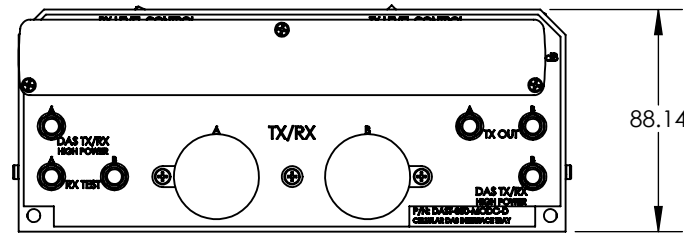
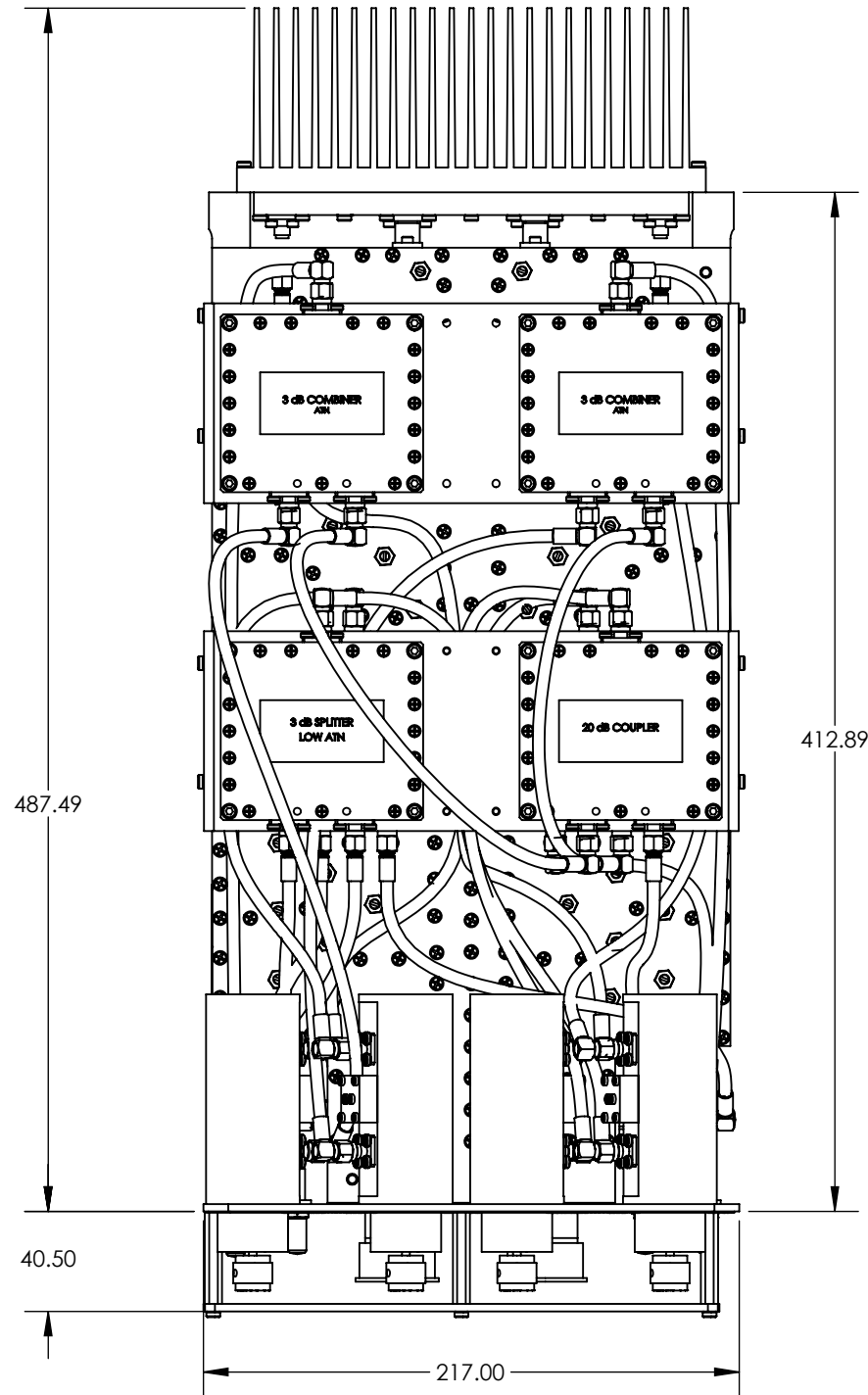
ALL COMPONENTS AND PROCESSES TO BE RoHS 6/6 COMPLIANT.		NAME	DATE	 COMMUNICATION COMPONENT FILTERS, INC. 145 BATCHELDER RD. SEABROOK, NH 03874
MATERIAL:	UNLESS OTHERWISE SPECIFIED:	DRAWN	T.FERRELL	
	DIMENSIONS ARE IN mm	MECH ENG.		
	TOLERANCES:	ELEC ENG.		
	0 PLACE ± 2.5	WEIGHT: (9667.6 g.)		
	1 PLACE ± 0.4	SURFACE AREA: (1725549.0 sq mm.)		
	2 PLACE ± 0.10	 THIRD ANGLE PROJECTION		
	ANGULAR ± 0.5°			
FINISH:	SURFACE FINISH: 1.5µm	PROJECT NO:		TITLE: OUTLINE DRAWING, MODC-D
PROPRIETARY AND CONFIDENTIAL THE INFORMATION CONTAINED IN THIS DRAWING IS THE SOLE PROPERTY OF COMMUNICATION COMPONENT FILTERS, INC. ANY REPRODUCTION IN PART OR AS A WHOLE WITHOUT THE WRITTEN PERMISSION OF COMMUNICATION COMPONENT FILTERS, INC. IS PROHIBITED.				SIZE B DWG. NO. 301-0185 REV P2
SCALE: 1:3			SHEET 1 OF 5	

D

C

B

A



D

C

B

A

301-0185-02

ALL COMPONENTS AND PROCESSES TO BE RoHS 6/6 COMPLIANT.

MATERIAL: UNLESS OTHERWISE SPECIFIED:
 DIMENSIONS ARE IN mm
 TOLERANCES:
 0 PLACE ± 2.5
 1 PLACE ± 0.4
 2 PLACE ± 0.10
 ANGULAR ± 0.5°
 SURFACE FINISH: 1.5µm

FINISH:

PROPRIETARY AND CONFIDENTIAL
 THE INFORMATION CONTAINED IN THIS DRAWING IS THE SOLE PROPERTY OF COMMUNICATION COMPONENT FILTERS, INC. ANY REPRODUCTION IN PART OR AS A WHOLE WITHOUT THE WRITTEN PERMISSION OF COMMUNICATION COMPONENT FILTERS, INC. IS PROHIBITED.

	NAME	DATE
DRAWN	T.FERRELL	10-16-2013
MECH ENG.		
ELEC ENG.		
WEIGHT: (9667.6 g.)		
SURFACE AREA: (1725549.0 sq mm.)		
THIRD ANGLE PROJECTION		
PROJECT NO:		

COMMUNICATION COMPONENT FILTERS, INC. 145 BATCHELDER RD. SEABROOK, NH 03874	TITLE:	
	OUTLINE DRAWING, MODC-D	
SIZE B	DWG. NO. 301-0185	REV P2
SCALE: 1:3	SHEET 2 OF 5	

8

7

6

5

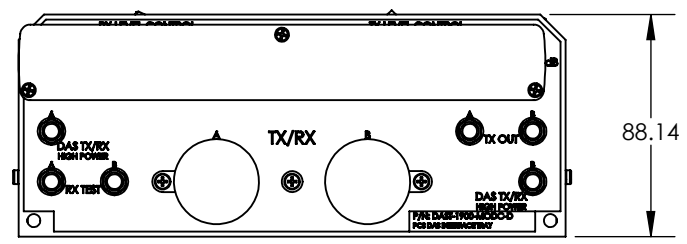
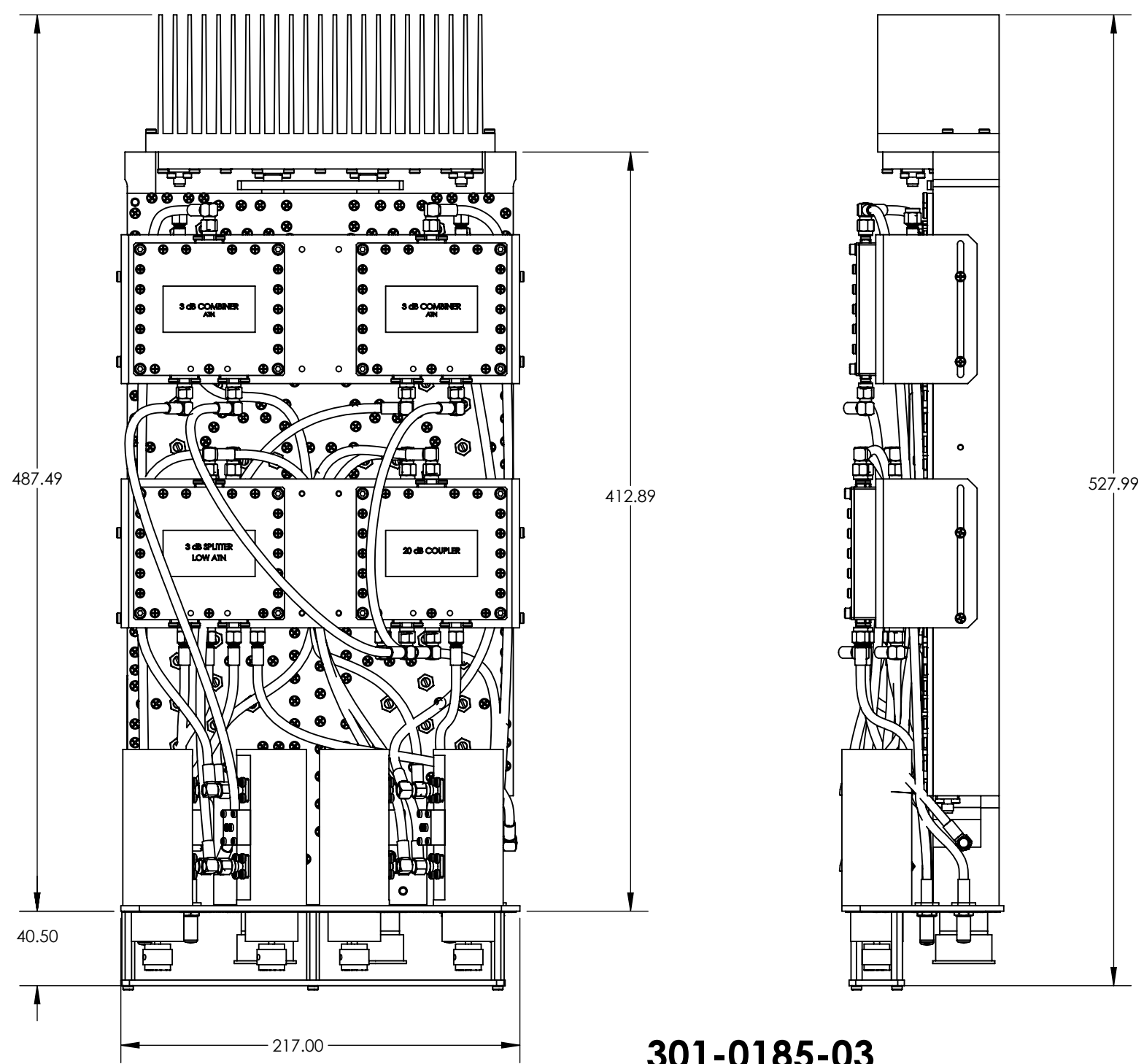
4

3

2

1

D
C
B
A

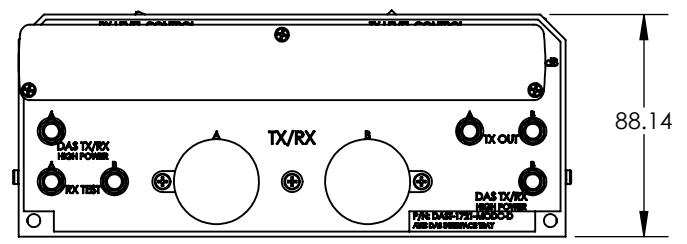
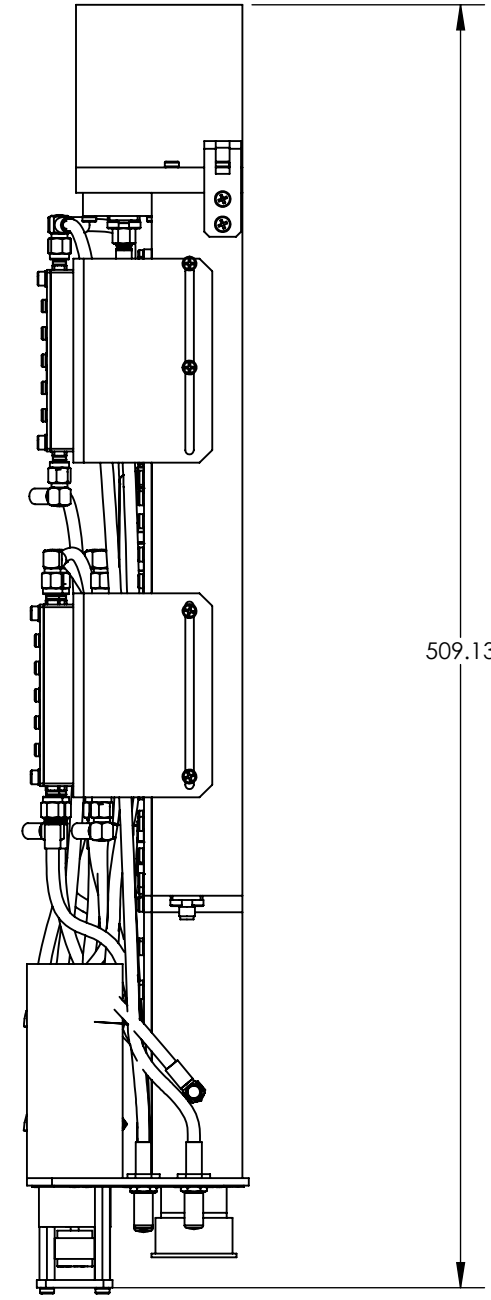
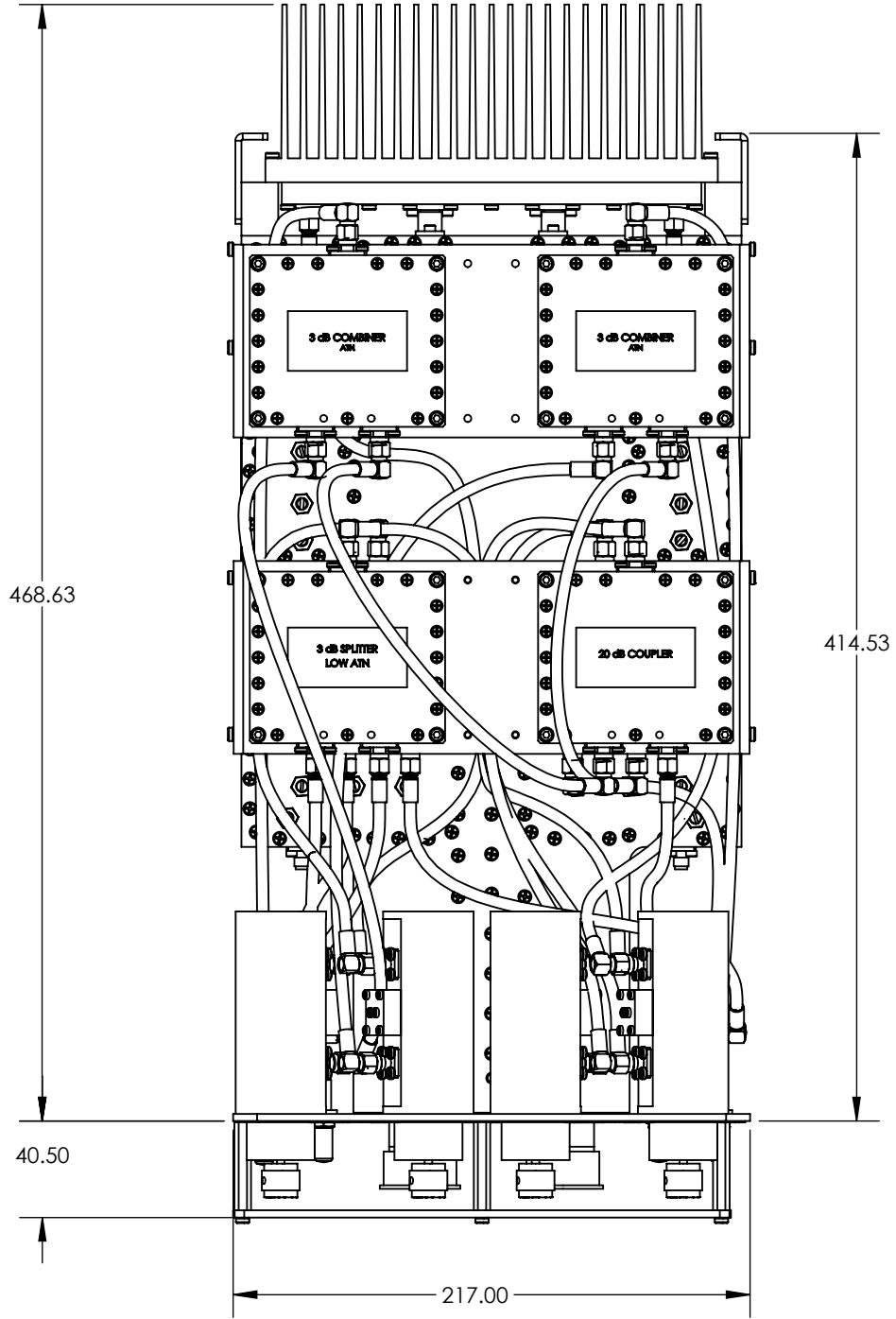


301-0185-03



ALL COMPONENTS AND PROCESSES TO BE RoHS 6/6 COMPLIANT.		NAME	DATE
MATERIAL:	UNLESS OTHERWISE SPECIFIED:	DRAWN	T.FERRELL
	DIMENSIONS ARE IN mm	MECH ENG.	10-16-2013
	TOLERANCES:	ELEC ENG.	
	0 PLACE ± 2.5	WEIGHT: (9667.6 g.)	
	1 PLACE ± 0.4	SURFACE AREA: (1725549.0 sq mm.)	
	2 PLACE ± 0.10	THIRD ANGLE PROJECTION	
	ANGULAR ± 0.5°		
FINISH:	SURFACE FINISH: 1.5µm	PROJECT NO:	
PROPRIETARY AND CONFIDENTIAL THE INFORMATION CONTAINED IN THIS DRAWING IS THE SOLE PROPERTY OF COMMUNICATION COMPONENT FILTERS, INC. ANY REPRODUCTION IN PART OR AS A WHOLE WITHOUT THE WRITTEN PERMISSION OF COMMUNICATION COMPONENT FILTERS, INC. IS PROHIBITED.			

COMMUNICATION COMPONENT FILTERS, INC. 145 BATCHELDER RD. SEABROOK, NH 03874	TITLE:	
	OUTLINE DRAWING, MODC-D	
SIZE B	DWG. NO. 301-0185	REV P2
SCALE: 1:3	SHEET 3 OF 5	

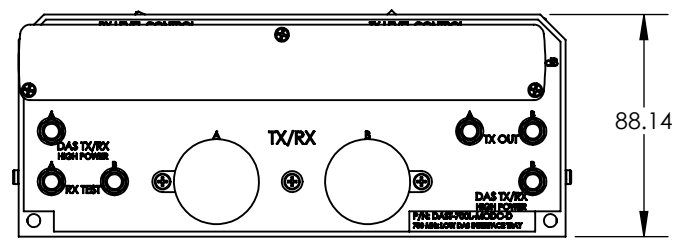
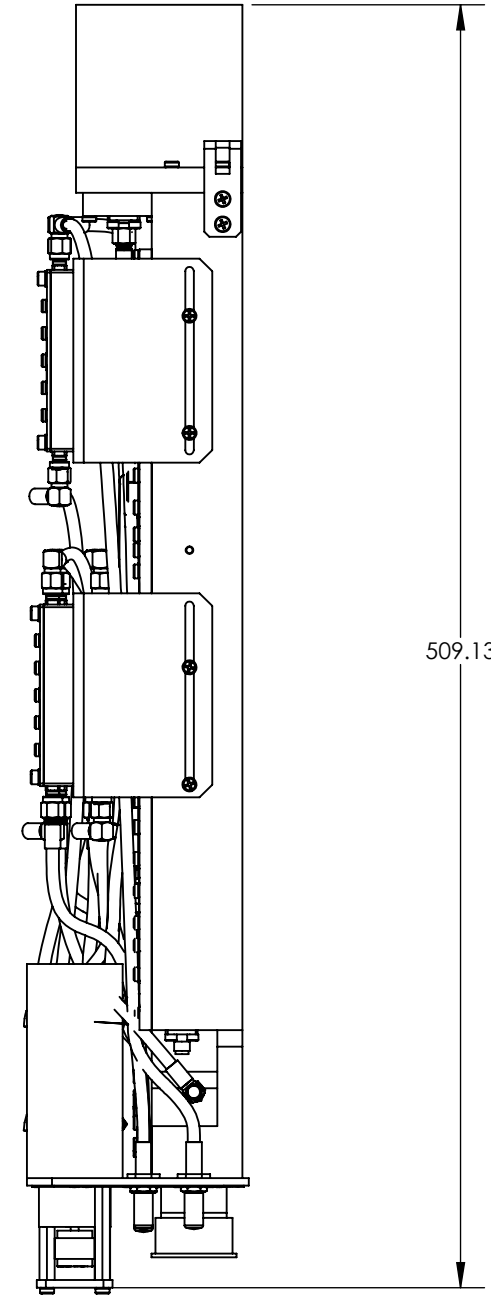
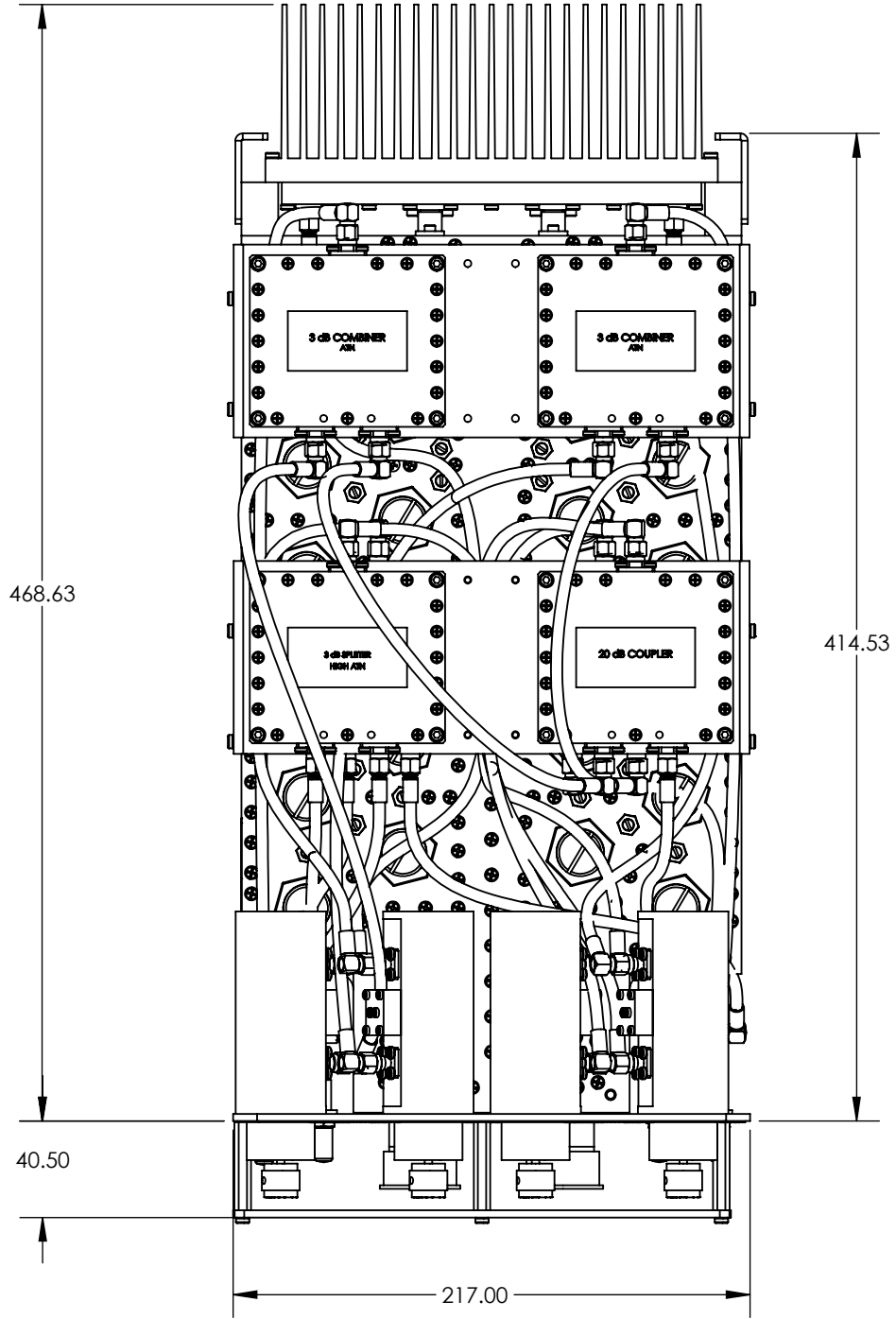
D
C
B
A





301-0185-04

ALL COMPONENTS AND PROCESSES TO BE RoHS 6/6 COMPLIANT.		NAME	DATE	 COMMUNICATION COMPONENT FILTERS, INC. 145 BATCHELDER RD. SEABROOK, NH 03874	
MATERIAL:	UNLESS OTHERWISE SPECIFIED:	DRAWN	T.FERRELL		10-16-2013
	DIMENSIONS ARE IN mm	MECH ENG.			
	TOLERANCES:	ELEC ENG.			
	0 PLACE ± 2.5	WEIGHT: (9667.6 g.)		TITLE:	
	1 PLACE ± 0.4	SURFACE AREA: (1725549.0 sq mm.)		OUTLINE DRAWING, MODC-D	
	2 PLACE ± 0.10	 THIRD ANGLE PROJECTION		SIZE B	
	ANGULAR ± 0.5°			PROJECT NO.:	DWG. NO. 301-0185
	SURFACE FINISH: 1.5µm			SCALE: 1:3	
PROPRIETARY AND CONFIDENTIAL THE INFORMATION CONTAINED IN THIS DRAWING IS THE SOLE PROPERTY OF COMMUNICATION COMPONENT FILTERS, INC. ANY REPRODUCTION IN PART OR AS A WHOLE WITHOUT THE WRITTEN PERMISSION OF COMMUNICATION COMPONENT FILTERS, INC. IS PROHIBITED.				SHEET 4 OF 5	

D
C
B
A



301-0185-05

ALL COMPONENTS AND PROCESSES TO BE RoHS 6/6 COMPLIANT.		NAME	DATE	 COMMUNICATION COMPONENT FILTERS, INC. 145 BATCHELDER RD. SEABROOK, NH 03874	
MATERIAL:	UNLESS OTHERWISE SPECIFIED:	DRAWN	T.FERRELL		10-16-2013
	DIMENSIONS ARE IN mm	MECH ENG.			
	TOLERANCES:	ELEC ENG.			
	0 PLACE ± 2.5	WEIGHT: (9667.6 g.)		TITLE:	
	1 PLACE ± 0.4	SURFACE AREA: (1725549.0 sq mm.)		OUTLINE DRAWING, MODC-D	
	2 PLACE ± 0.10	 THIRD ANGLE PROJECTION		SIZE B	
	ANGULAR ± 0.5°			PROJECT NO:	DWG. NO.
	SURFACE FINISH: 1.5µm			P2	
FINISH:				SCALE: 1:3	
PROPRIETARY AND CONFIDENTIAL THE INFORMATION CONTAINED IN THIS DRAWING IS THE SOLE PROPERTY OF COMMUNICATION COMPONENT FILTERS, INC. ANY REPRODUCTION IN PART OR AS A WHOLE WITHOUT THE WRITTEN PERMISSION OF COMMUNICATION COMPONENT FILTERS, INC. IS PROHIBITED.				SHEET 5 OF 5	