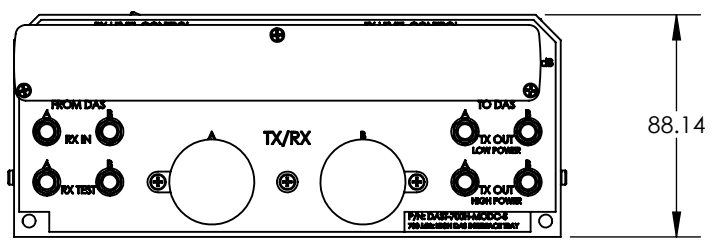
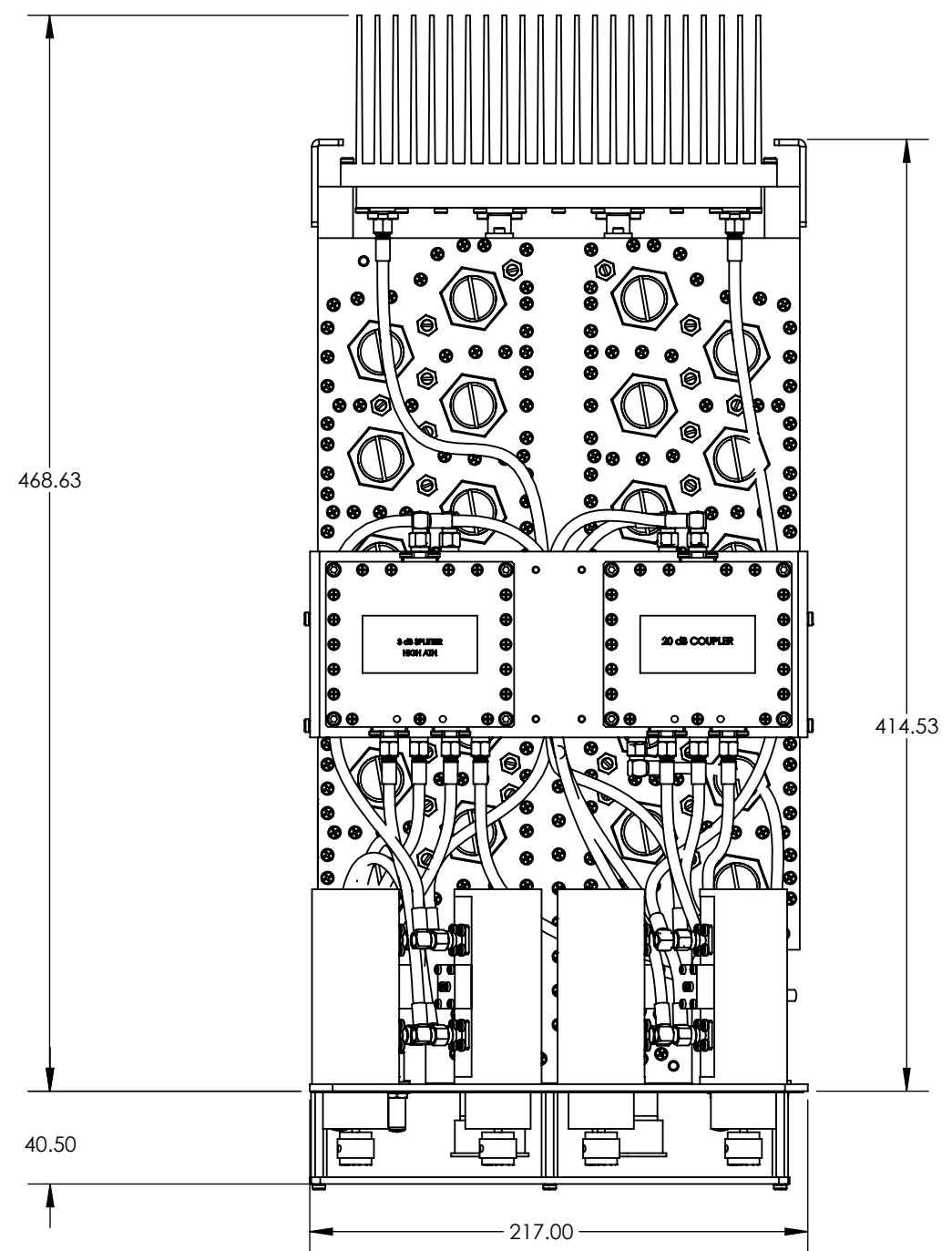
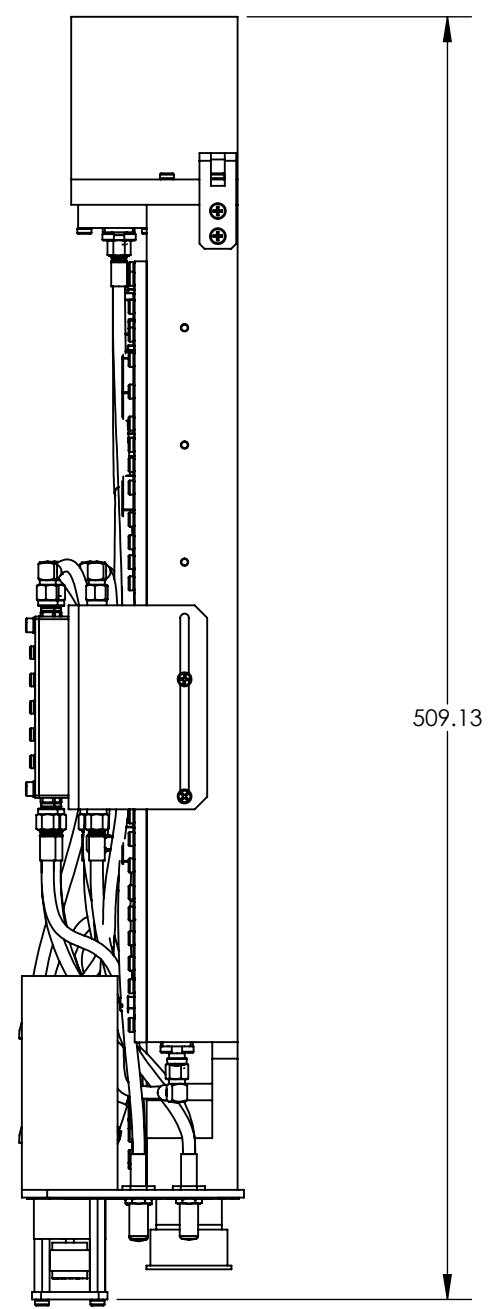




D  
C  
B  
A



REVISIONS				
REV.	DESCRIPTION	DATE	APPROVED	DCN #
P4	ADDED MISSING DIMENSIONS TO PAGES 2, 3 AND 4	10-17-13	T.F.	
P5	CORRECTED ERROR IN -05 FRONT AND SIDE VIEWS	11-01-13	T.F.	



### 301-0183-01

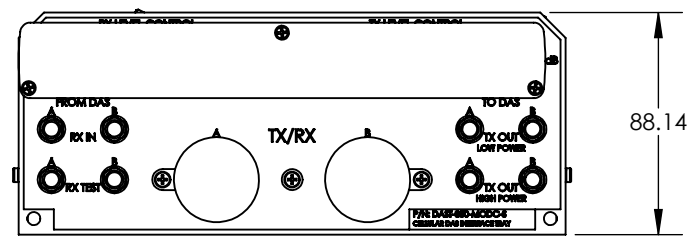
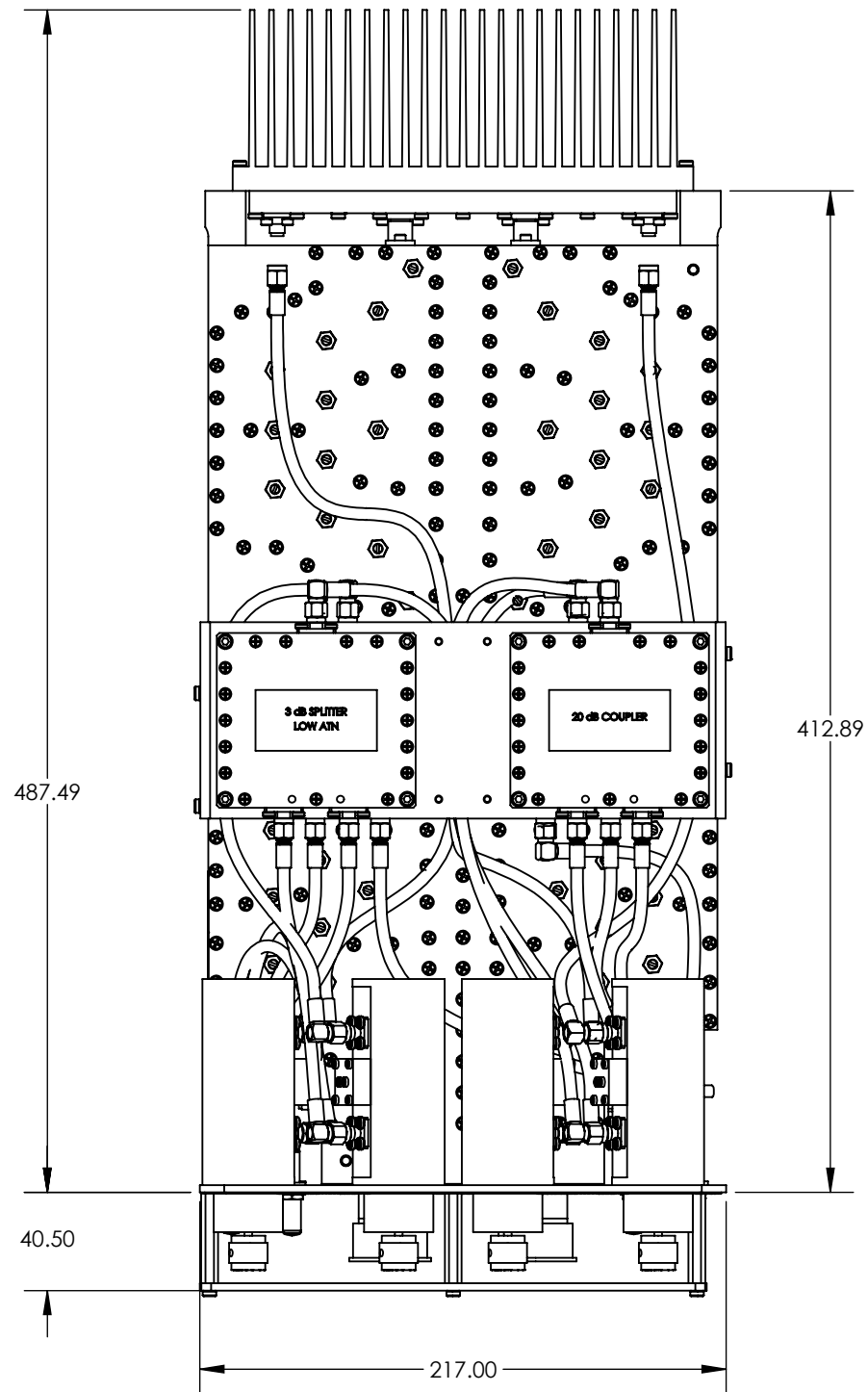
ALL COMPONENTS AND PROCESSES TO BE RoHS 6/6 COMPLIANT.		NAME	DATE	 COMMUNICATION COMPONENT FILTERS, INC. 145 BATCHELDER RD. SEABROOK, NH 03874
MATERIAL:	UNLESS OTHERWISE SPECIFIED:	DRAWN	T.FERRELL	
	DIMENSIONS ARE IN mm	MECH ENG.		
	TOLERANCES:	ELEC ENG.		
	0 PLACE ± 2.5	WEIGHT: (9160.0 g.)		
	1 PLACE ± 0.4	SURFACE AREA: (1567134.6 sq mm.)		
	2 PLACE ± 0.10	 THIRD ANGLE PROJECTION		
	ANGULAR ± 0.5°			
	SURFACE FINISH: 1.5µm	PROJECT NO:		
PROPRIETARY AND CONFIDENTIAL THE INFORMATION CONTAINED IN THIS DRAWING IS THE SOLE PROPERTY OF COMMUNICATION COMPONENT FILTERS, INC. ANY REPRODUCTION IN PART OR AS A WHOLE WITHOUT THE WRITTEN PERMISSION OF COMMUNICATION COMPONENT FILTERS, INC. IS PROHIBITED.		TITLE: OUTLINE DRAWING, MODC-S		
		SIZE <b>B</b>	DWG. NO. 301-0183	REV P5
		SCALE: 1:3	SHEET 1 OF 5	

D

C

B

A



### 301-0183-02

ALL COMPONENTS AND PROCESSES TO BE RoHS 6/6 COMPLIANT.

MATERIAL: UNLESS OTHERWISE SPECIFIED:  
 DIMENSIONS ARE IN mm  
 TOLERANCES:  
 0 PLACE ± 2.5  
 1 PLACE ± 0.4  
 2 PLACE ± 0.10  
 ANGULAR ± 0.5°  
 SURFACE FINISH: 1.5µm

FINISH:

**PROPRIETARY AND CONFIDENTIAL**  
 THE INFORMATION CONTAINED IN THIS DRAWING IS THE SOLE PROPERTY OF COMMUNICATION COMPONENT FILTERS, INC. ANY REPRODUCTION IN PART OR AS A WHOLE WITHOUT THE WRITTEN PERMISSION OF COMMUNICATION COMPONENT FILTERS, INC. IS PROHIBITED.

NAME	DATE
T.FERRELL	03-15-2013
MECH ENG.	
ELEC ENG.	
WEIGHT: (9160.0 g.)	
SURFACE AREA: (1567134.6 sq mm.)	
THIRD ANGLE PROJECTION	
PROJECT NO:	

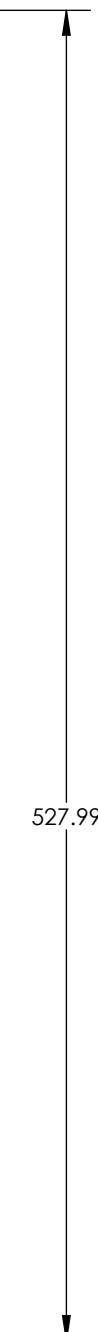
COMMUNICATION COMPONENT FILTERS, INC. 145 BATCHELDER RD. SEABROOK, NH 03874	TITLE:	
	OUTLINE DRAWING, MODC-S	
SIZE <b>B</b>	DWG. NO. 301-0183	REV P5
SCALE: 1:3	SHEET 2 OF 5	

D

C

B

A

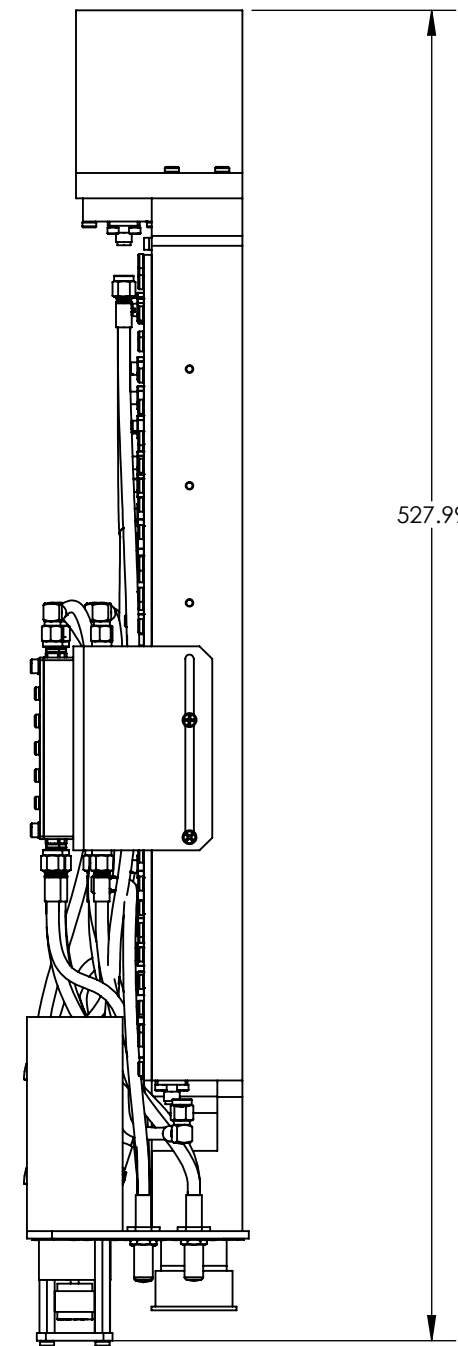
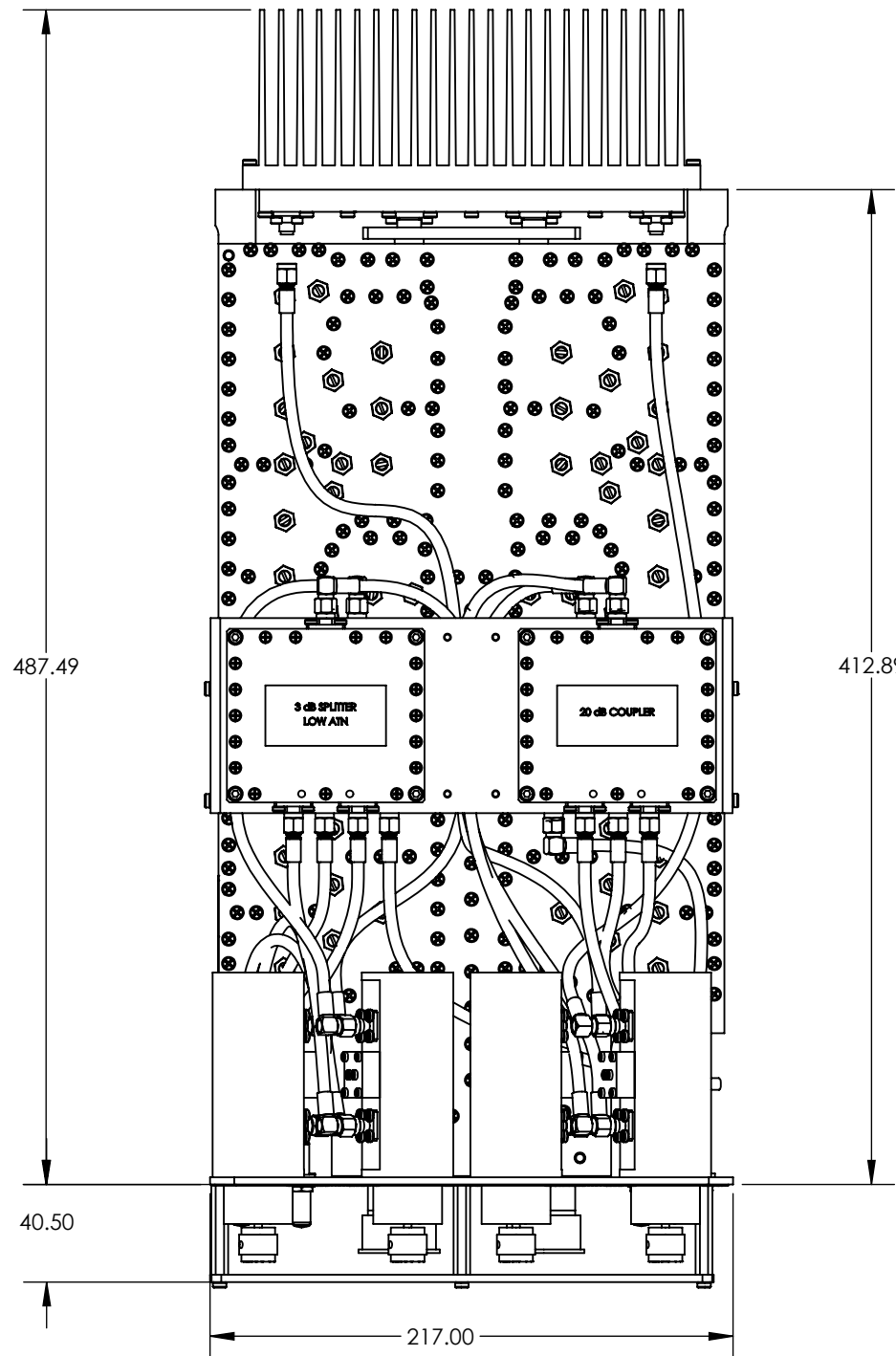


D

C

B

A



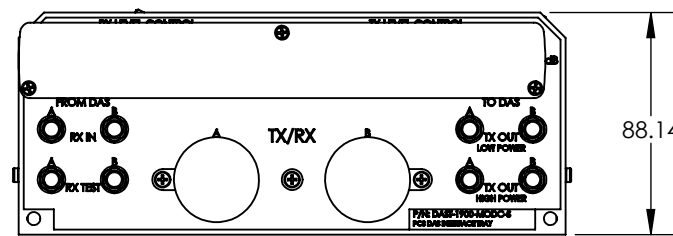
D



C

B

A

### 301-0183-03



ALL COMPONENTS AND PROCESSES TO BE RoHS 6/6 COMPLIANT.		NAME	DATE	 COMMUNICATION COMPONENT FILTERS, INC. 145 BATCHELDER RD. SEABROOK, NH 03874
MATERIAL:	UNLESS OTHERWISE SPECIFIED:	DRAWN	T.FERRELL	
	DIMENSIONS ARE IN mm	MECH ENG.		
	TOLERANCES:	ELEC ENG.		
	0 PLACE ± 2.5	WEIGHT: (9160.0 g.)		TITLE:
	1 PLACE ± 0.4	SURFACE AREA: (1567134.6 sq mm.)		OUTLINE DRAWING, MODC-S
	2 PLACE ± 0.10	 THIRD ANGLE PROJECTION		SIZE <b>B</b>
	ANGULAR ± 0.5°			DWG. NO.
	SURFACE FINISH: 1.5µm	PROJECT NO:		SHEET 3 OF 5
<b>PROPRIETARY AND CONFIDENTIAL</b> THE INFORMATION CONTAINED IN THIS DRAWING IS THE SOLE PROPERTY OF COMMUNICATION COMPONENT FILTERS, INC. ANY REPRODUCTION IN PART OR AS A WHOLE WITHOUT THE WRITTEN PERMISSION OF COMMUNICATION COMPONENT FILTERS, INC. IS PROHIBITED.		SCALE: 1:3		

8

7

6

5

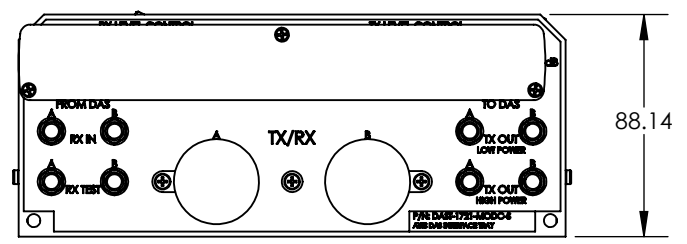
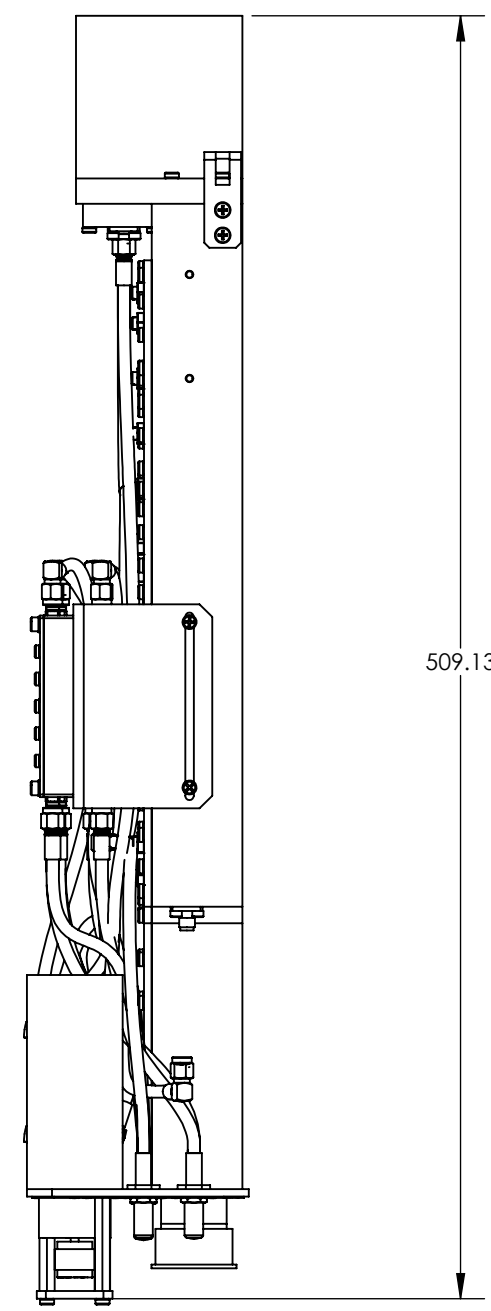
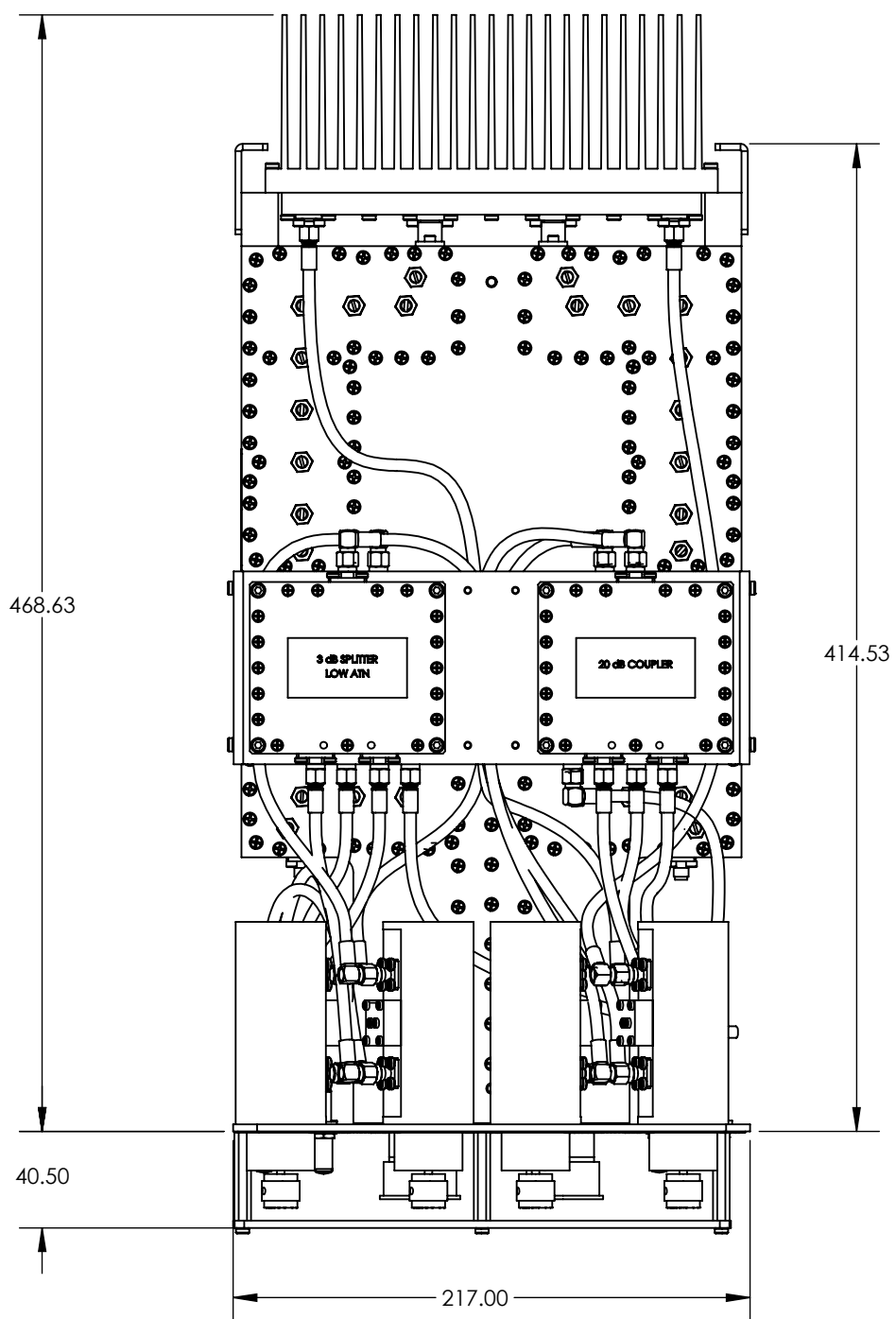
4

3



2

1

D  
C  
B  
A

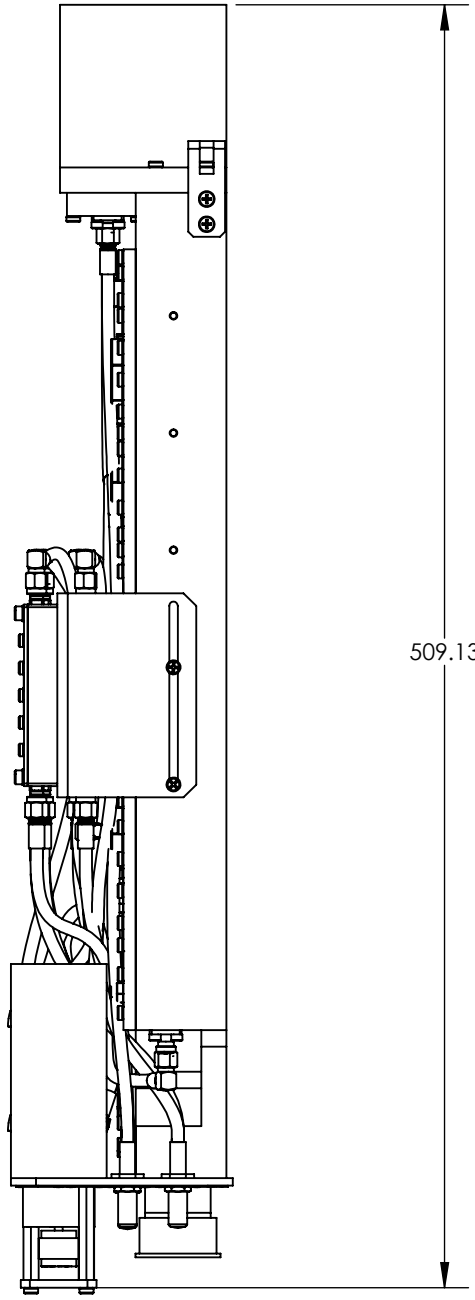
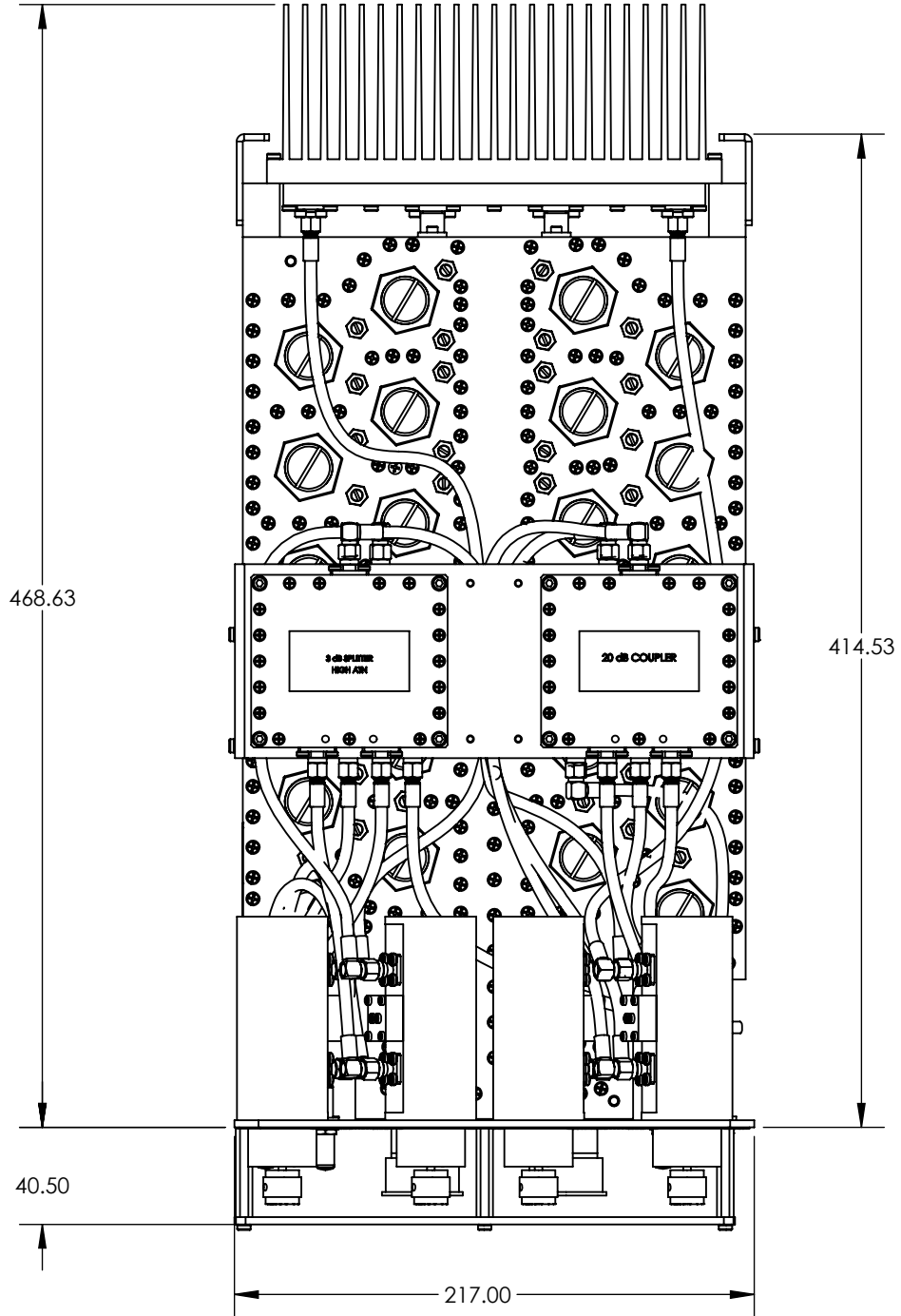


### 301-0183-04

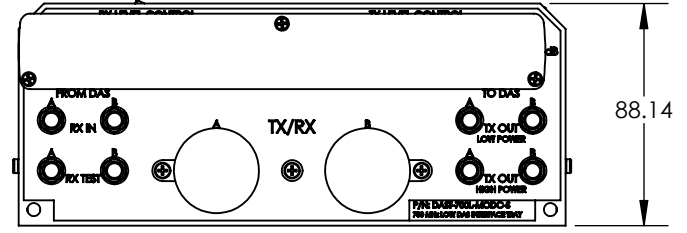
ALL COMPONENTS AND PROCESSES TO BE ROHS 6/6 COMPLIANT.		NAME	DATE	 COMMUNICATION COMPONENT FILTERS, INC. 145 BATCHELDER RD. SEABROOK, NH 03874
MATERIAL:	UNLESS OTHERWISE SPECIFIED:	DRAWN	T.FERRELL	
	DIMENSIONS ARE IN mm	MECH ENG.		
	TOLERANCES:	ELEC ENG.		
	0 PLACE ± 2.5	WEIGHT: (9160.0 g.)		TITLE:
	1 PLACE ± 0.4	SURFACE AREA: (1567134.6 sq mm.)		OUTLINE DRAWING, MODC-S
	2 PLACE ± 0.10	 THIRD ANGLE PROJECTION		SIZE <b>B</b>
	ANGULAR ± 0.5°			DWG. NO.
	SURFACE FINISH: 1.5µm	PROJECT NO:		SHEET 4 OF 5
PROPRIETARY AND CONFIDENTIAL THE INFORMATION CONTAINED IN THIS DRAWING IS THE SOLE PROPERTY OF COMMUNICATION COMPONENT FILTERS, INC. ANY REPRODUCTION IN PART OR AS A WHOLE WITHOUT THE WRITTEN PERMISSION OF COMMUNICATION COMPONENT FILTERS, INC. IS PROHIBITED.		SCALE: 1:3		

D  
C  
B  
A

D  
C  
B  
A



### 301-0183-05



ALL COMPONENTS AND PROCESSES TO BE RoHS 6/6 COMPLIANT.		NAME	DATE
MATERIAL:	UNLESS OTHERWISE SPECIFIED:	DRAWN	T.FERRELL
	DIMENSIONS ARE IN mm	MECH ENG.	03-15-2013
	TOLERANCES:	ELEC ENG.	
	0 PLACE ± 2.5	WEIGHT: (9160.0 g.)	
	1 PLACE ± 0.4	SURFACE AREA: (1567134.6 sq mm.)	
	2 PLACE ± 0.10	THIRD ANGLE PROJECTION	
	ANGULAR ± 0.5°		
FINISH:	SURFACE FINISH: 1.5µm	PROJECT NO:	
PROPRIETARY AND CONFIDENTIAL THE INFORMATION CONTAINED IN THIS DRAWING IS THE SOLE PROPERTY OF COMMUNICATION COMPONENT FILTERS, INC. ANY REPRODUCTION IN PART OR AS A WHOLE WITHOUT THE WRITTEN PERMISSION OF COMMUNICATION COMPONENT FILTERS, INC. IS PROHIBITED.			

COMMUNICATION COMPONENT FILTERS, INC. 145 BATCHELDER RD. SEABROOK, NH 03874	TITLE:	
	OUTLINE DRAWING, MODC-S	
SIZE <b>B</b>	DWG. NO. 301-0183	REV P5
SCALE: 1:3	SHEET 5 OF 5	

D  
C  
B  
A