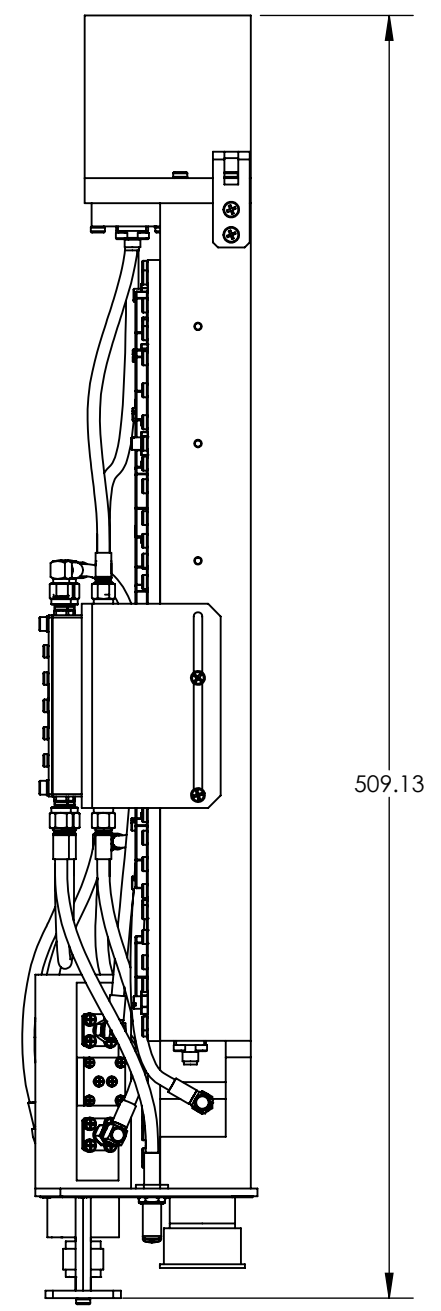
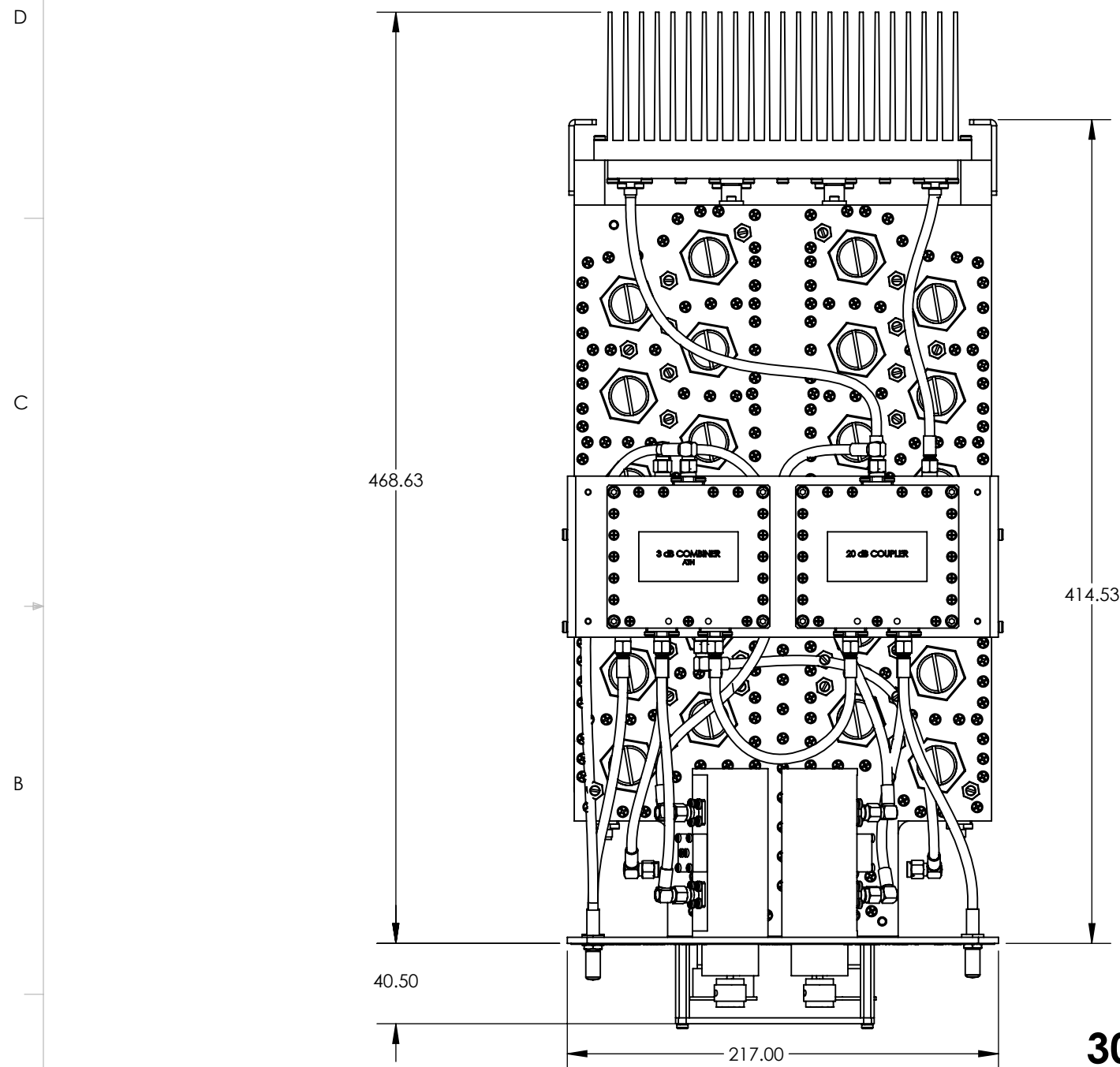
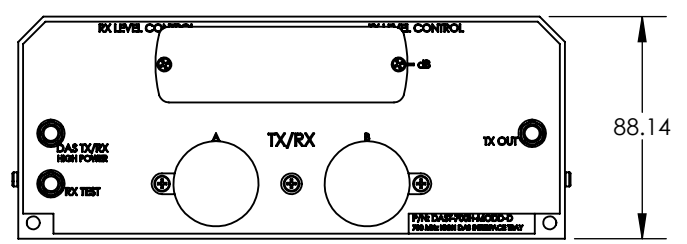

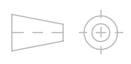


REVISIONS				
REV.	DESCRIPTION	DATE	APPROVED	DCN #
P3	UPDATED WITH COMPLETED DESIGN	10-17-13	TF	
P4	FIXED ERRORS IN VIEWS, ADDED LABELS AND MISSING DIMS	11-01-13	T.F.	

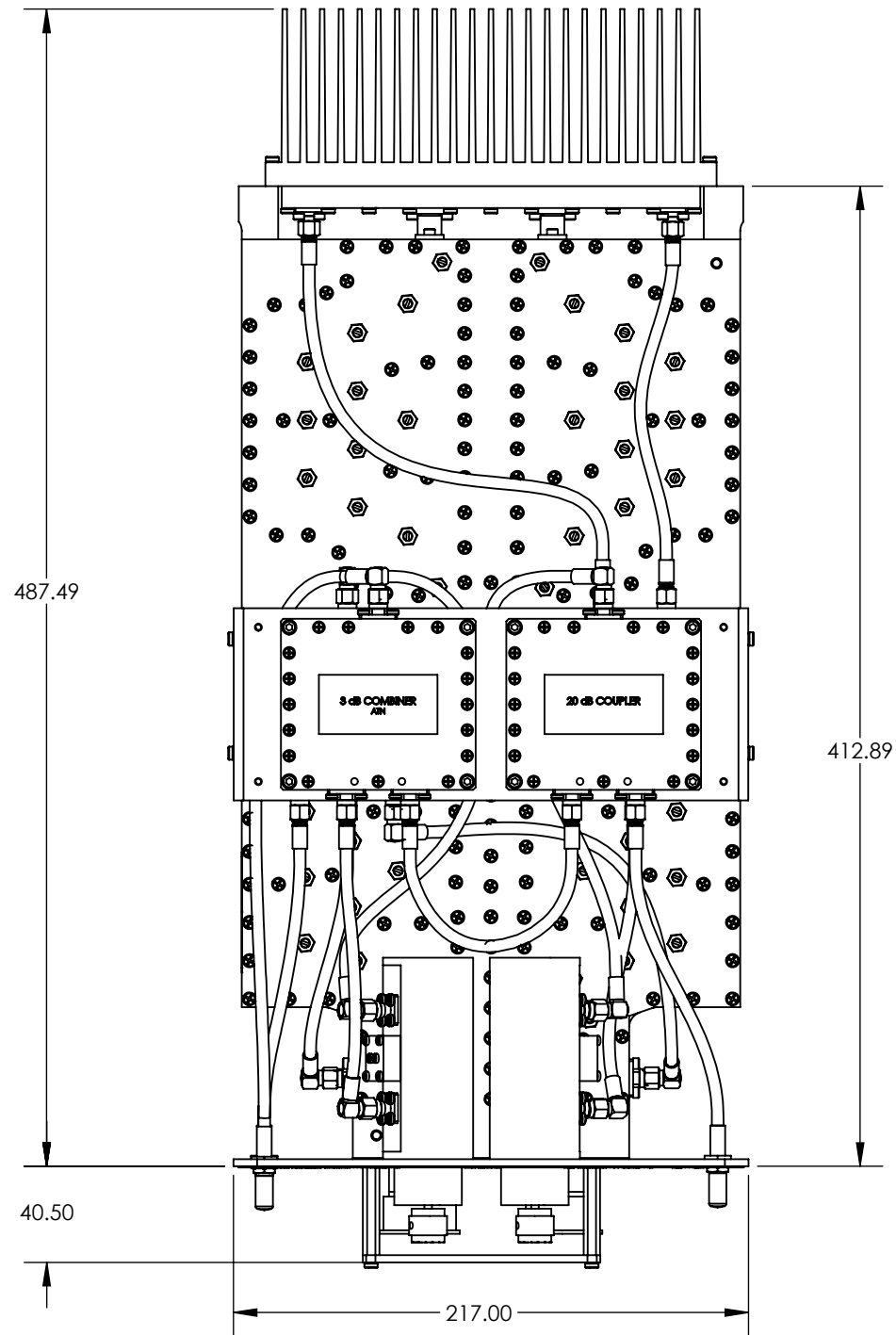


301-0187-01

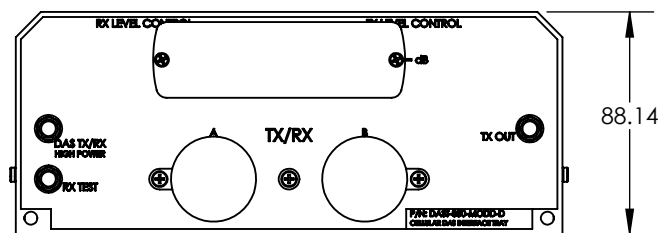
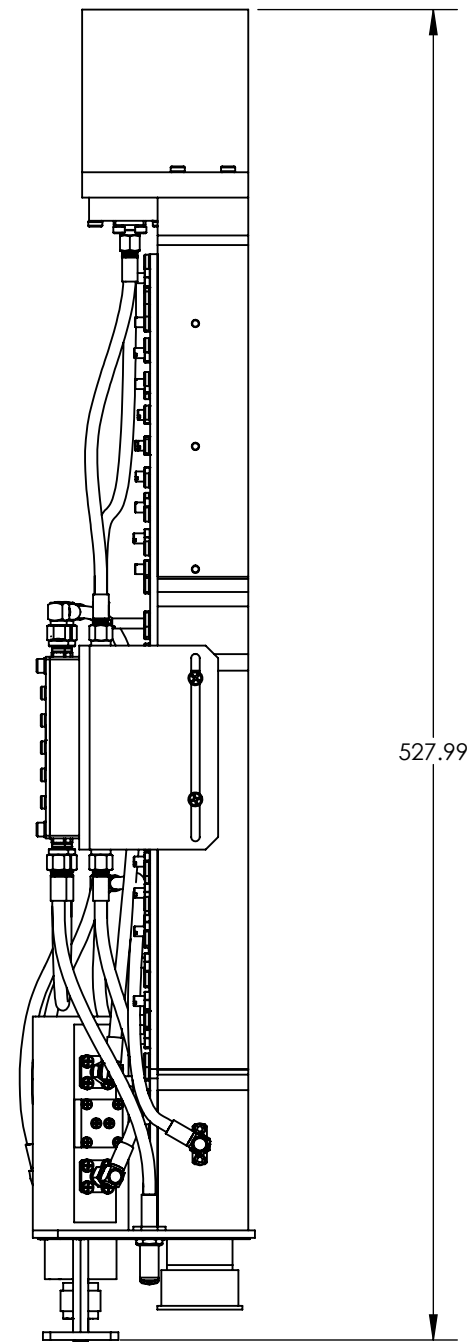



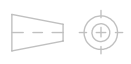
ALL COMPONENTS AND PROCESSES TO BE RoHS 6/6 COMPLIANT.		NAME	DATE	 COMMUNICATION COMPONENT FILTERS, INC. 145 BATCHELDER RD. SEABROOK, NH 03874	
MATERIAL:	UNLESS OTHERWISE SPECIFIED:	DRAWN	T.FERRELL		03-15-2013
	DIMENSIONS ARE IN mm	MECH ENG.			
	TOLERANCES:	ELEC ENG.			
	0 PLACE ± 2.5	WEIGHT: (8871.3 g.)		TITLE:	
	1 PLACE ± 0.4	SURFACE AREA: (1485646.8 sq mm.)		OUTLINE DRAWING, MODD-D	
	2 PLACE ± 0.10	 THIRD ANGLE PROJECTION		SIZE B	
	ANGULAR ± 0.5°			PROJECT NO:	DWG. NO. 301-0187
	SURFACE FINISH: 1.5µm			SCALE: 1:3	
PROPRIETARY AND CONFIDENTIAL THE INFORMATION CONTAINED IN THIS DRAWING IS THE SOLE PROPERTY OF COMMUNICATION COMPONENT FILTERS, INC. ANY REPRODUCTION IN PART OR AS A WHOLE WITHOUT THE WRITTEN PERMISSION OF COMMUNICATION COMPONENT FILTERS, INC. IS PROHIBITED.				SHEET 1 OF 5	

D
C
B
A

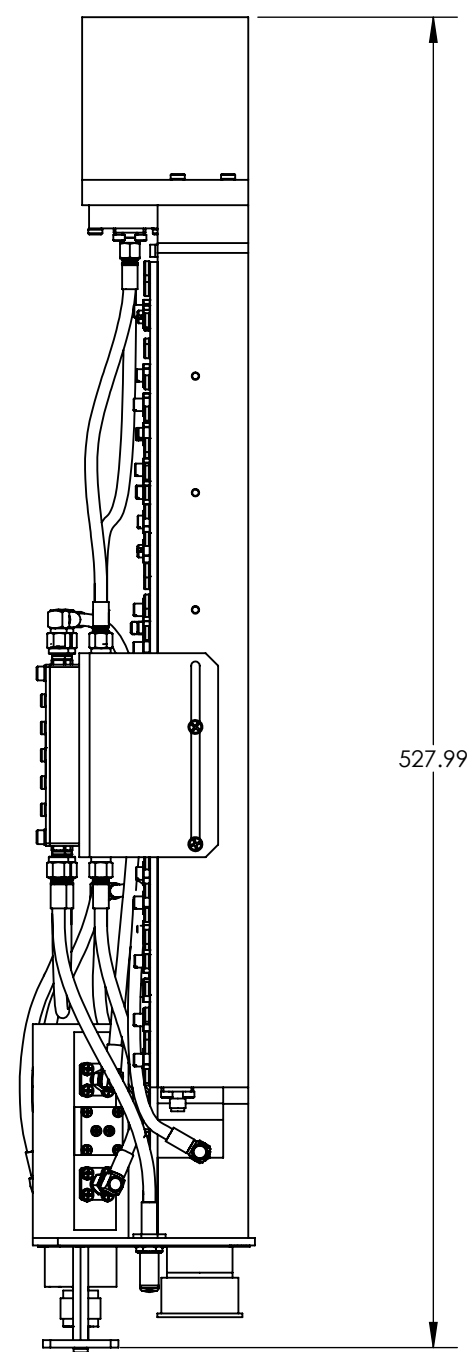
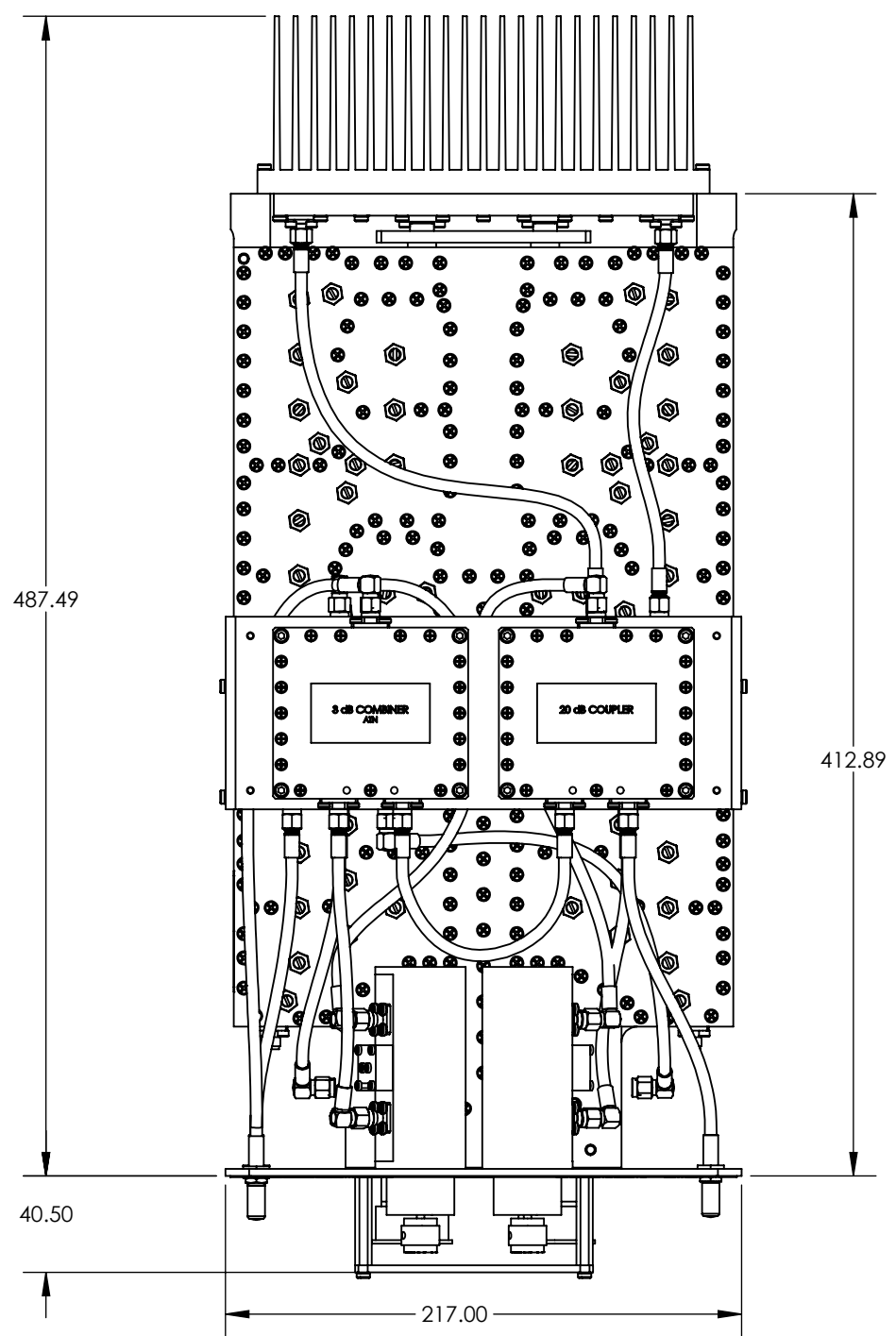


301-0187-02

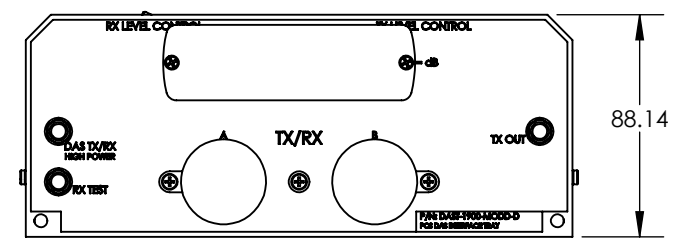


ALL COMPONENTS AND PROCESSES TO BE RoHS 6/6 COMPLIANT.		NAME	DATE	 COMMUNICATION COMPONENT FILTERS, INC. 145 BATCHELDER RD. SEABROOK, NH 03874	
MATERIAL:	UNLESS OTHERWISE SPECIFIED:	DRAWN	T.FERRELL		03-15-2013
	DIMENSIONS ARE IN mm	MECH ENG.			
	TOLERANCES:	ELEC ENG.			
	0 PLACE ± 2.5	WEIGHT: (8871.3 g.)		TITLE:	
	1 PLACE ± 0.4	SURFACE AREA: (1485646.8 sq mm.)		OUTLINE DRAWING, MODD-D	
	2 PLACE ± 0.10	 THIRD ANGLE PROJECTION		SIZE B	
	ANGULAR ± 0.5°			PROJECT NO.:	DWG. NO. 301-0187
	SURFACE FINISH: 1.5µm			SCALE: 1:3	
PROPRIETARY AND CONFIDENTIAL THE INFORMATION CONTAINED IN THIS DRAWING IS THE SOLE PROPERTY OF COMMUNICATION COMPONENT FILTERS, INC. ANY REPRODUCTION IN PART OR AS A WHOLE WITHOUT THE WRITTEN PERMISSION OF COMMUNICATION COMPONENT FILTERS, INC. IS PROHIBITED.				SHEET 2 OF 5	

D
C
B
A

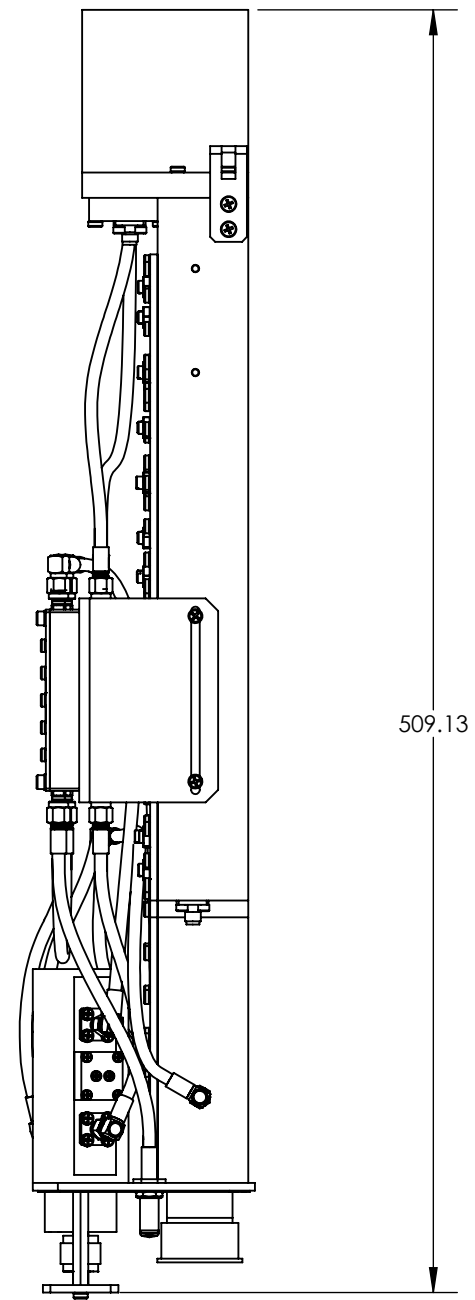
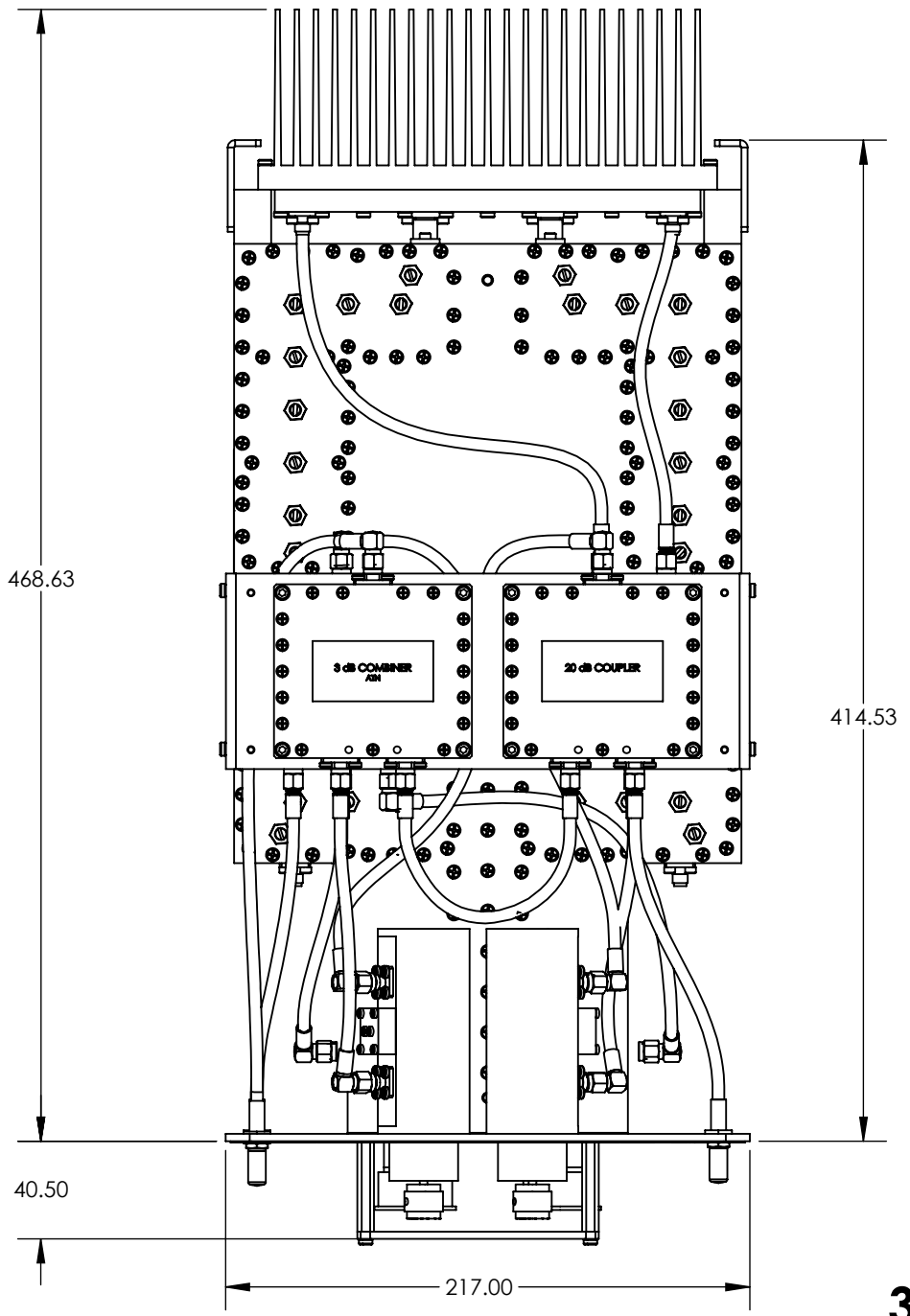


301-0187-03

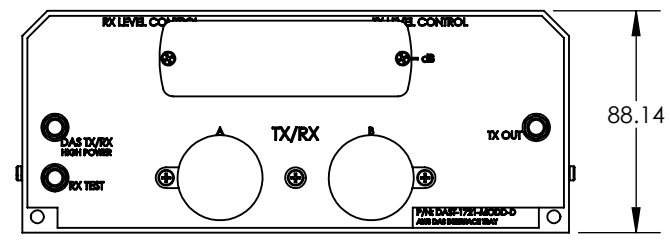




ALL COMPONENTS AND PROCESSES TO BE RoHS 6/6 COMPLIANT.		NAME	DATE	<p>COMMUNICATION COMPONENT FILTERS, INC. 145 BATCHELDER RD. SEABROOK, NH 03874</p>	
MATERIAL:	UNLESS OTHERWISE SPECIFIED:	DRAWN	T.FERRELL		03-15-2013
	DIMENSIONS ARE IN mm	MECH ENG.			
	TOLERANCES:	ELEC ENG.			
	0 PLACE ± 2.5	WEIGHT: (8871.3 g.)		TITLE:	
	1 PLACE ± 0.4	SURFACE AREA: (1485646.8 sq mm.)		OUTLINE DRAWING, MODD-D	
	2 PLACE ± 0.10	<p>THIRD ANGLE PROJECTION</p>		SIZE B	
	ANGULAR ± 0.5°			DWG. NO.	301-0187
	SURFACE FINISH: 1.5µm	PROJECT NO.:		SHEET 3 OF 5	
<p>PROPRIETARY AND CONFIDENTIAL</p> <p>THE INFORMATION CONTAINED IN THIS DRAWING IS THE SOLE PROPERTY OF COMMUNICATION COMPONENT FILTERS, INC. ANY REPRODUCTION IN PART OR AS A WHOLE WITHOUT THE WRITTEN PERMISSION OF COMMUNICATION COMPONENT FILTERS, INC. IS PROHIBITED.</p>		SCALE: 1:3			

D
C
B
A

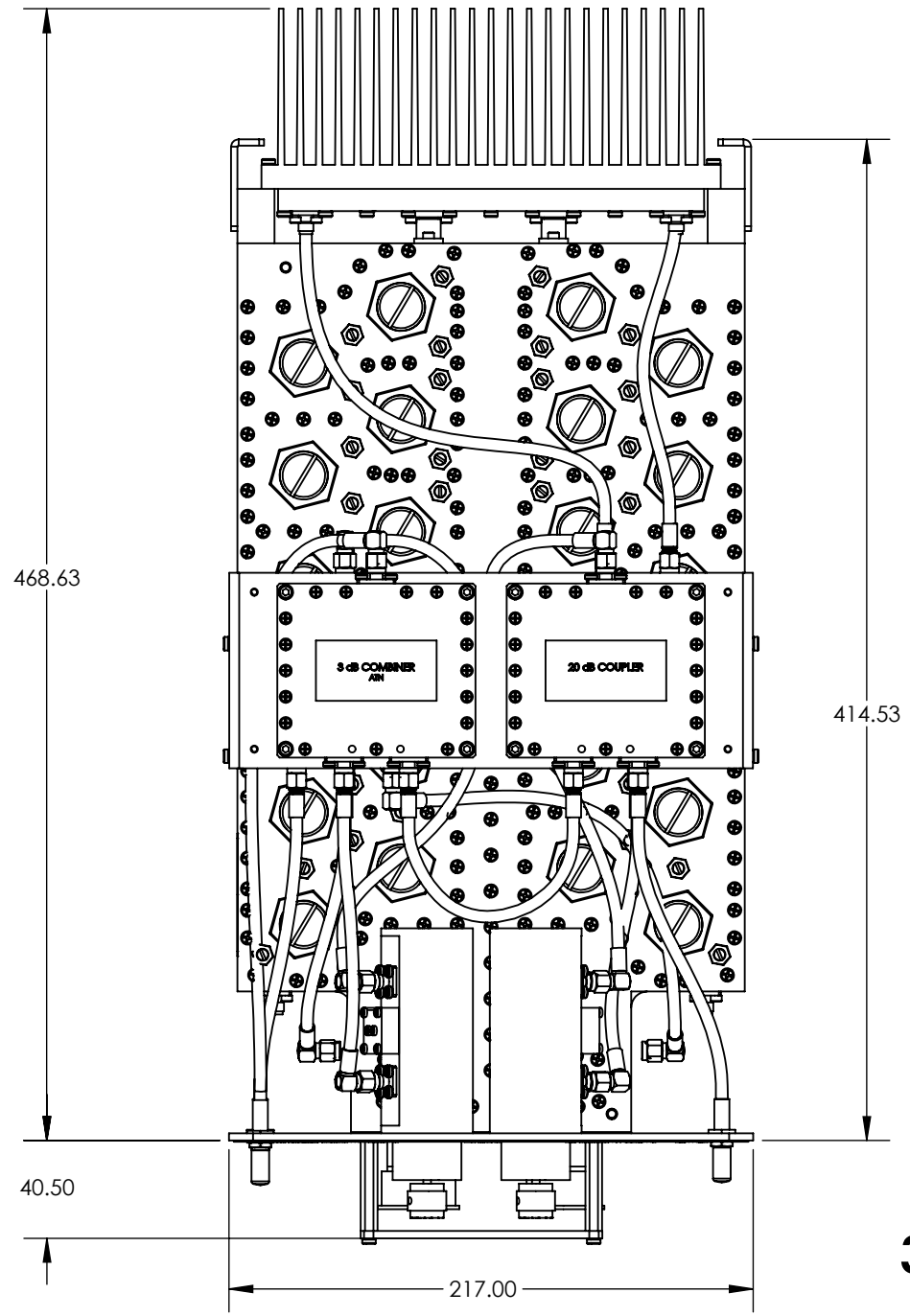


301-0187-04

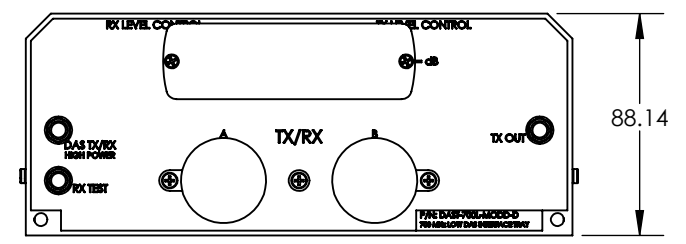
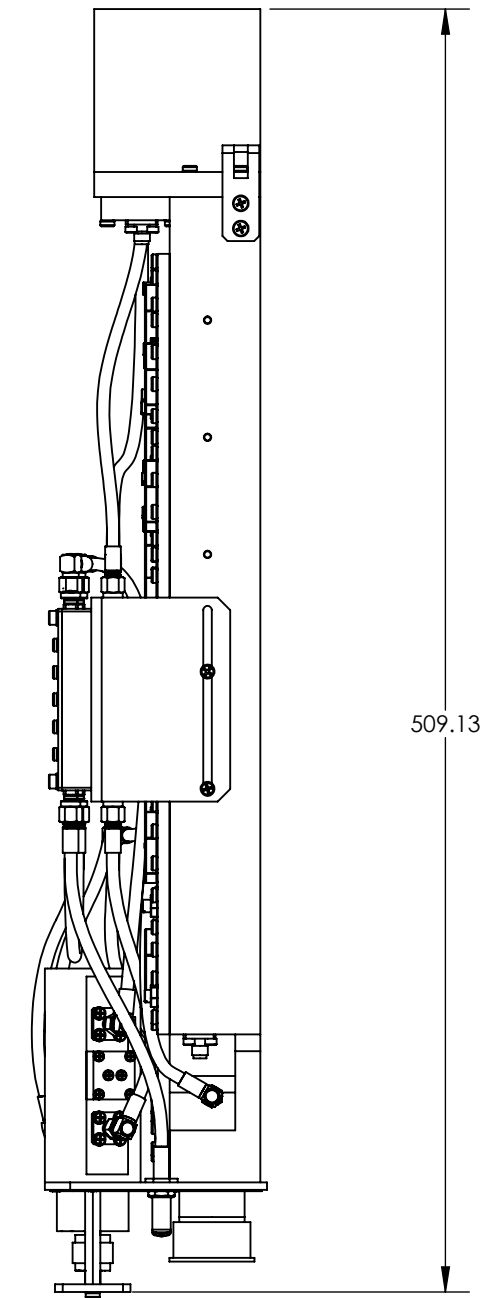




ALL COMPONENTS AND PROCESSES TO BE RoHS 6/6 COMPLIANT.		NAME	DATE	 COMMUNICATION COMPONENT FILTERS, INC. 145 BATCHELDER RD. SEABROOK, NH 03874
MATERIAL:	UNLESS OTHERWISE SPECIFIED:	DRAWN	T.FERRELL	
FINISH:	DIMENSIONS ARE IN mm TOLERANCES: 0 PLACE ± 2.5 1 PLACE ± 0.4 2 PLACE ± 0.10 ANGULAR ± 0.5° SURFACE FINISH: 1.5µm	MECH. ENG.		TITLE:
		ELEC. ENG.		OUTLINE DRAWING, MODD-D
		WEIGHT: (8871.3 g.)		SIZE B DWG. NO. 301-0187 REV P4 SCALE: 1:3 SHEET 4 OF 5
		SURFACE AREA: (1485646.8 sq mm.)		
PROPRIETARY AND CONFIDENTIAL THE INFORMATION CONTAINED IN THIS DRAWING IS THE SOLE PROPERTY OF COMMUNICATION COMPONENT FILTERS, INC. ANY REPRODUCTION IN PART OR AS A WHOLE WITHOUT THE WRITTEN PERMISSION OF COMMUNICATION COMPONENT FILTERS, INC. IS PROHIBITED.		 THIRD ANGLE PROJECTION		
		PROJECT NO:		

D
C
B
A



301-0187-05



ALL COMPONENTS AND PROCESSES TO BE RoHS 6/6 COMPLIANT.		NAME	DATE	 COMMUNICATION COMPONENT FILTERS, INC. 145 BATCHELDER RD. SEABROOK, NH 03874	
MATERIAL:	UNLESS OTHERWISE SPECIFIED:	DRAWN	T.FERRELL		03-15-2013
	DIMENSIONS ARE IN mm	MECH. ENG.			
	TOLERANCES:	ELEC. ENG.			
	0 PLACE ± 2.5	WEIGHT: (8871.3 g.)		TITLE:	
	1 PLACE ± 0.4	SURFACE AREA: (1485646.8 sq mm.)		OUTLINE DRAWING, MODD-D	
	2 PLACE ± 0.10	 THIRD ANGLE PROJECTION		SIZE B	
	ANGULAR ± 0.5°			PROJECT NO.:	DWG. NO. 301-0187
	SURFACE FINISH: 1.5µm			SCALE: 1:3	
PROPRIETARY AND CONFIDENTIAL THE INFORMATION CONTAINED IN THIS DRAWING IS THE SOLE PROPERTY OF COMMUNICATION COMPONENT FILTERS, INC. ANY REPRODUCTION IN PART OR AS A WHOLE WITHOUT THE WRITTEN PERMISSION OF COMMUNICATION COMPONENT FILTERS, INC. IS PROHIBITED.				SHEET 5 OF 5	