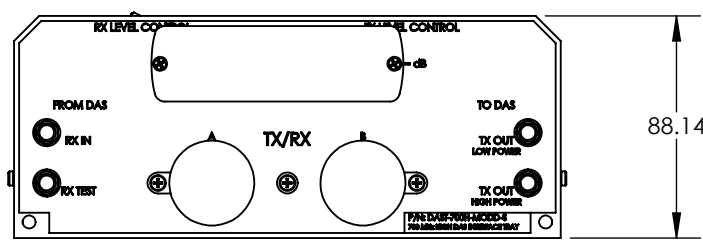
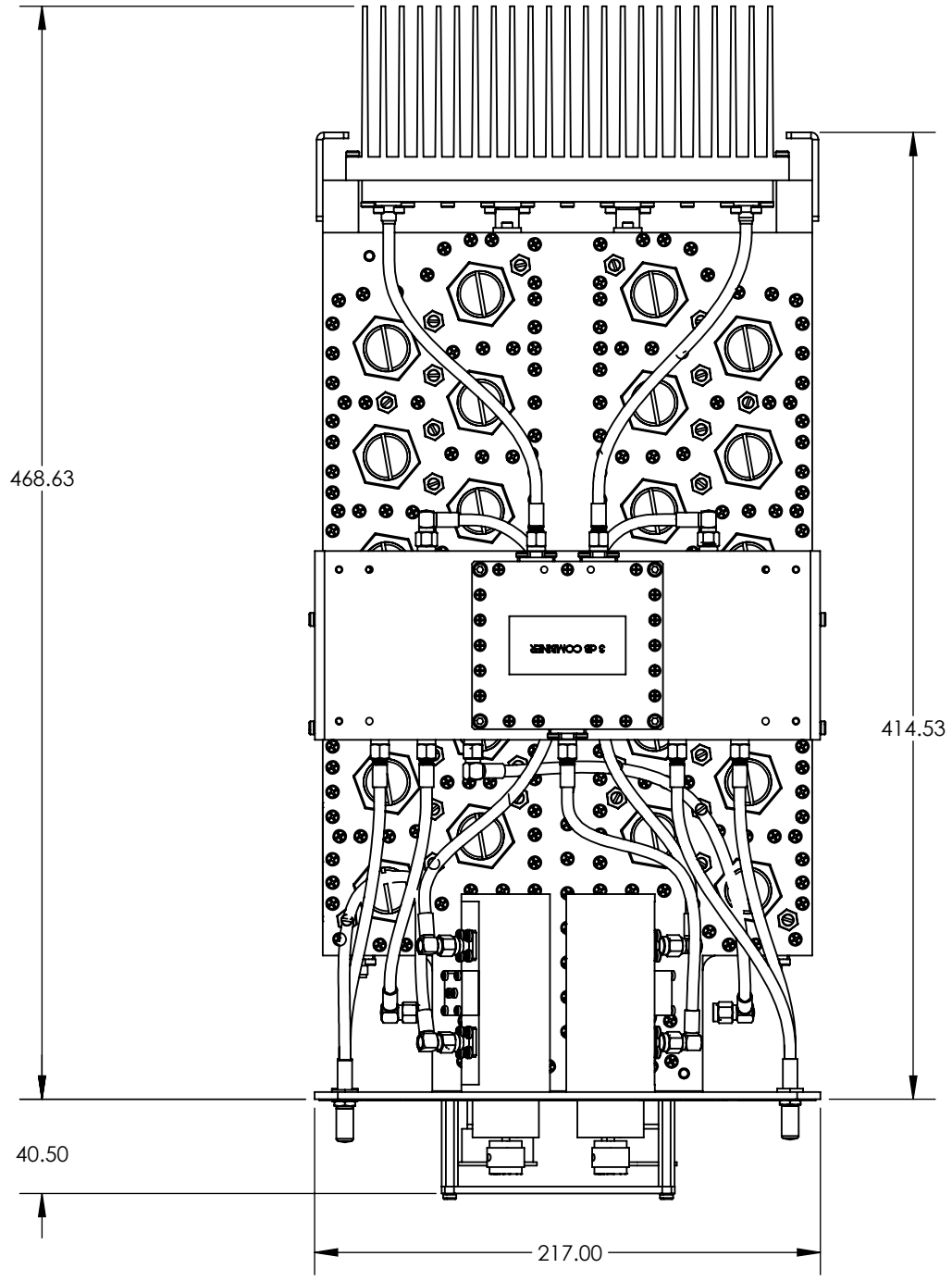
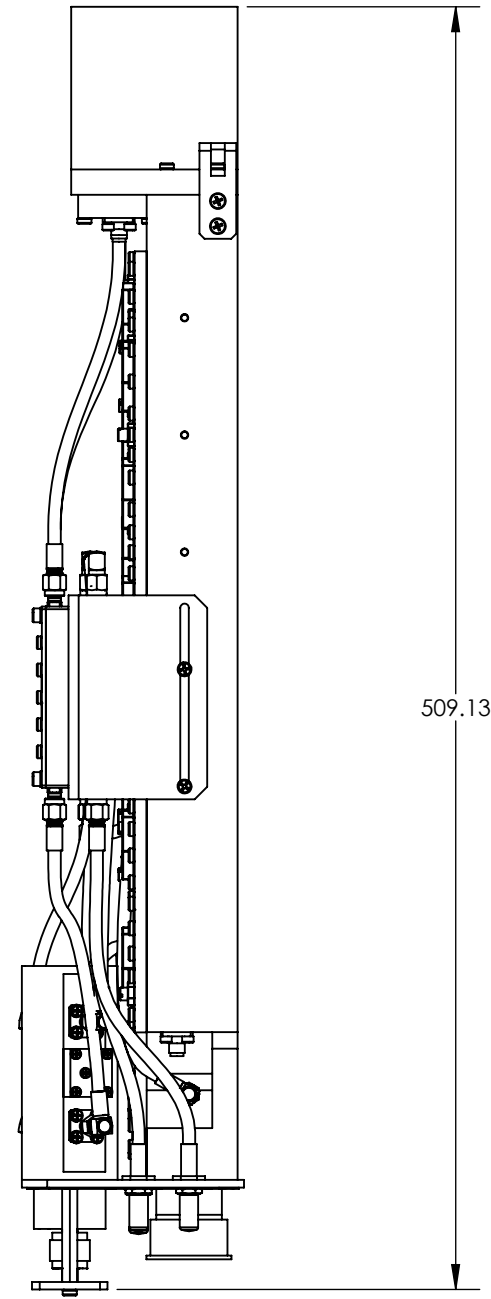


D
C
B
A



REVISIONS				
REV.	DESCRIPTION	DATE	APPROVED	DCN #
P1	INITIAL RELEASE	10-17-13	T.F.	
P2	FIXED VARIOUS VIEW AND LABEL ERRORS	11-01-13	T.F.	



301-0186-01

ALL COMPONENTS AND PROCESSES TO BE RoHS 6/6 COMPLIANT.		NAME	DATE
MATERIAL:	UNLESS OTHERWISE SPECIFIED:	DRAWN	T.FERRELL
	DIMENSIONS ARE IN mm	MECH ENG.	10-17-2013
	TOLERANCES:	ELEC ENG.	
	0 PLACE ± 2.5	WEIGHT: (8734.7 g.)	
	1 PLACE ± 0.4	SURFACE AREA: (1438546.9 sq mm.)	
	2 PLACE ± 0.10	THIRD ANGLE PROJECTION	
	ANGULAR ± 0.5°		
FINISH:	SURFACE FINISH: 1.5µm	PROPRIETARY AND CONFIDENTIAL THE INFORMATION CONTAINED IN THIS DRAWING IS THE SOLE PROPERTY OF COMMUNICATION COMPONENT FILTERS, INC. ANY REPRODUCTION IN PART OR AS A WHOLE WITHOUT THE WRITTEN PERMISSION OF COMMUNICATION COMPONENT FILTERS, INC. IS PROHIBITED.	
PROJECT NO:		DWG. NO. 301-0186 REV P2	

COMMUNICATION COMPONENT FILTERS, INC.
145 BATCHELDER RD.
SEABROOK, NH 03874

TITLE: OUTLINE DRAWING, MODD-S

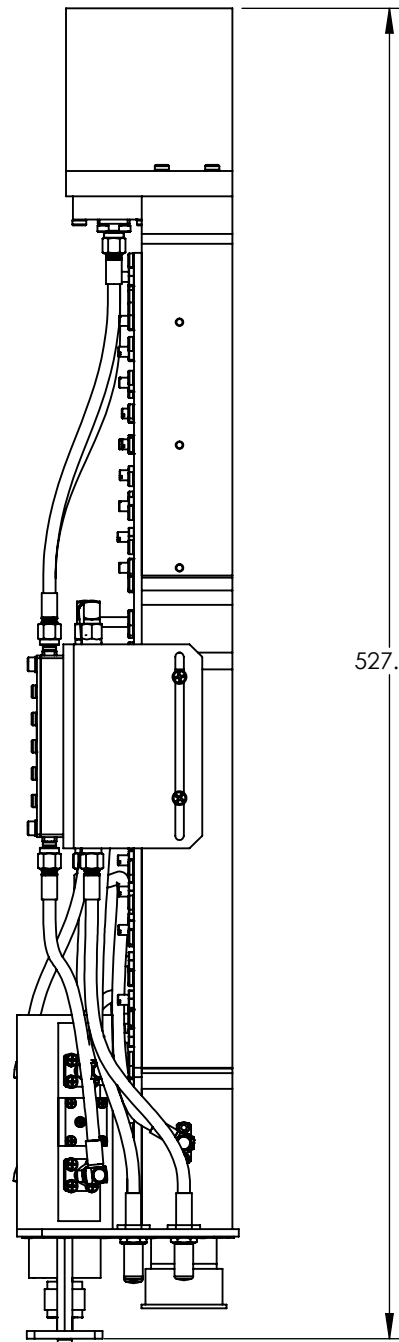
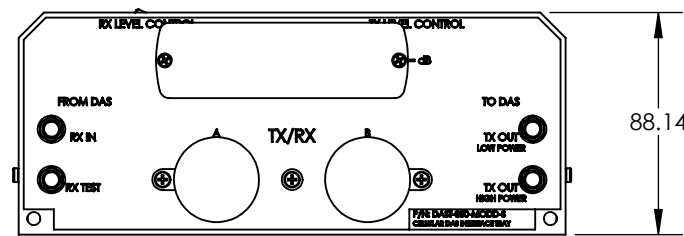
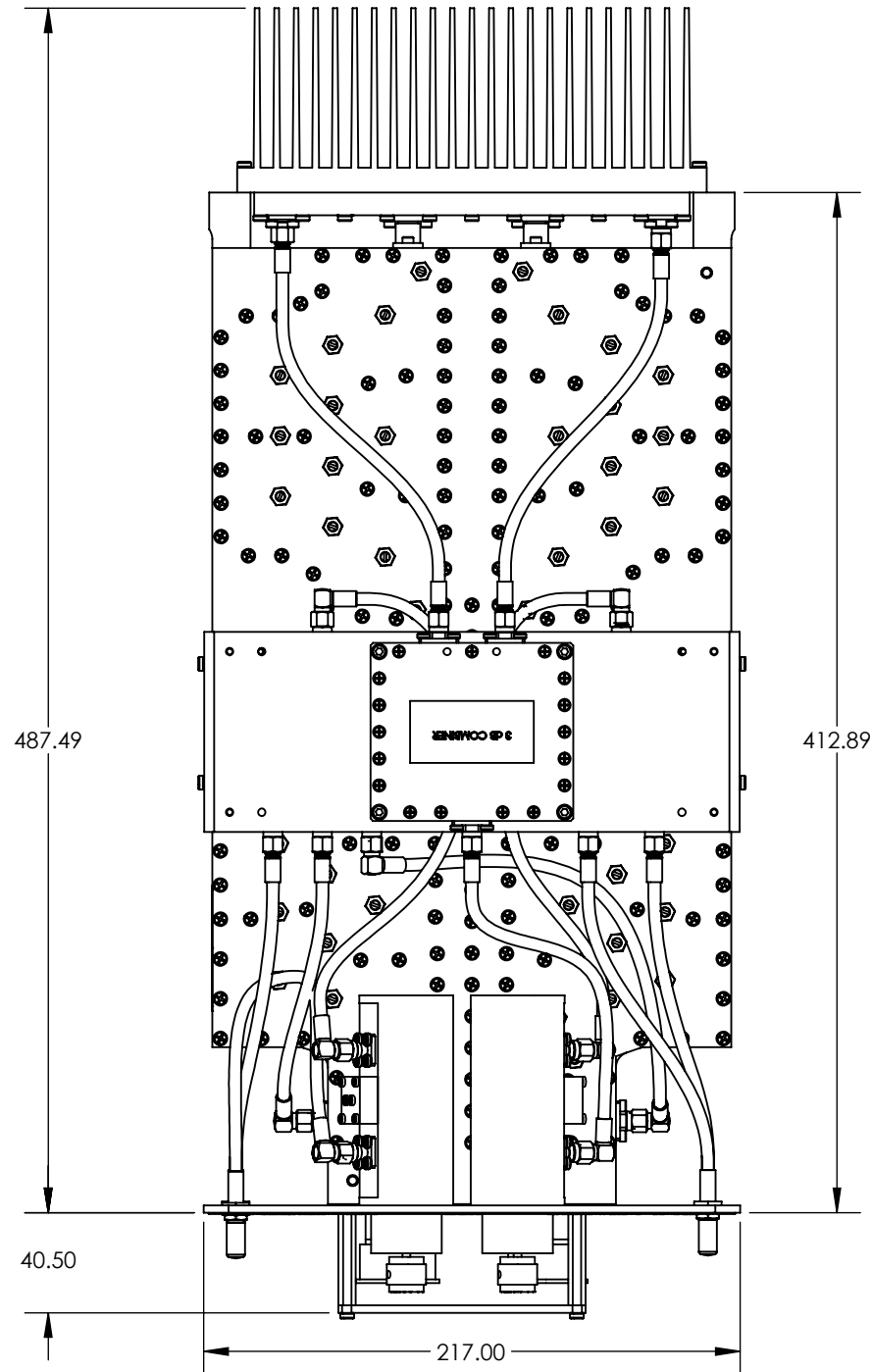
SIZE B	DWG. NO. 301-0186	REV P2
SCALE: 1:3	SHEET 1 OF 5	

D

C

B

A





D

C

B

A

301-0186-02

ALL COMPONENTS AND PROCESSES TO BE RoHS 6/6 COMPLIANT.		NAME	DATE	 COMMUNICATION COMPONENT FILTERS, INC. 145 BATCHELDER RD. SEABROOK, NH 03874
MATERIAL:	UNLESS OTHERWISE SPECIFIED:	DRAWN	T.FERRELL	
	DIMENSIONS ARE IN mm	MECH ENG.		
	TOLERANCES:	ELEC ENG.		
	0 PLACE ± 2.5	WEIGHT: (8734.7 g.)		TITLE:
	1 PLACE ± 0.4	SURFACE AREA: (1438546.9 sq mm.)		OUTLINE DRAWING, MODD-S
	2 PLACE ± 0.10	 THIRD ANGLE PROJECTION		SIZE B
	ANGULAR ± 0.5°			PROJECT NO:
	SURFACE FINISH: 1.5µm			SCALE: 1:3
PROPRIETARY AND CONFIDENTIAL THE INFORMATION CONTAINED IN THIS DRAWING IS THE SOLE PROPERTY OF COMMUNICATION COMPONENT FILTERS, INC. ANY REPRODUCTION IN PART OR AS A WHOLE WITHOUT THE WRITTEN PERMISSION OF COMMUNICATION COMPONENT FILTERS, INC. IS PROHIBITED.				SHEET 2 OF 5

8

7

6

5

4

3

2

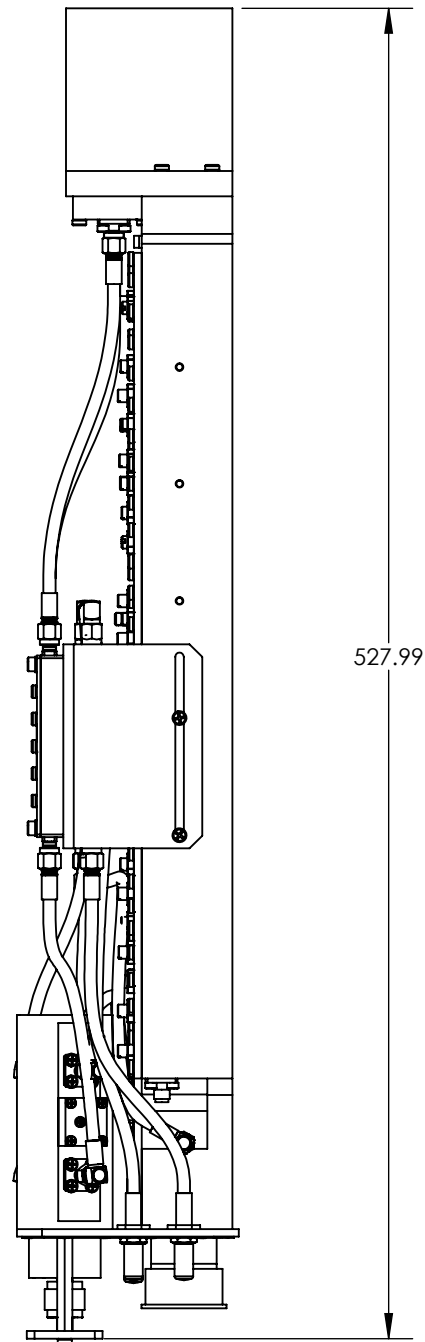
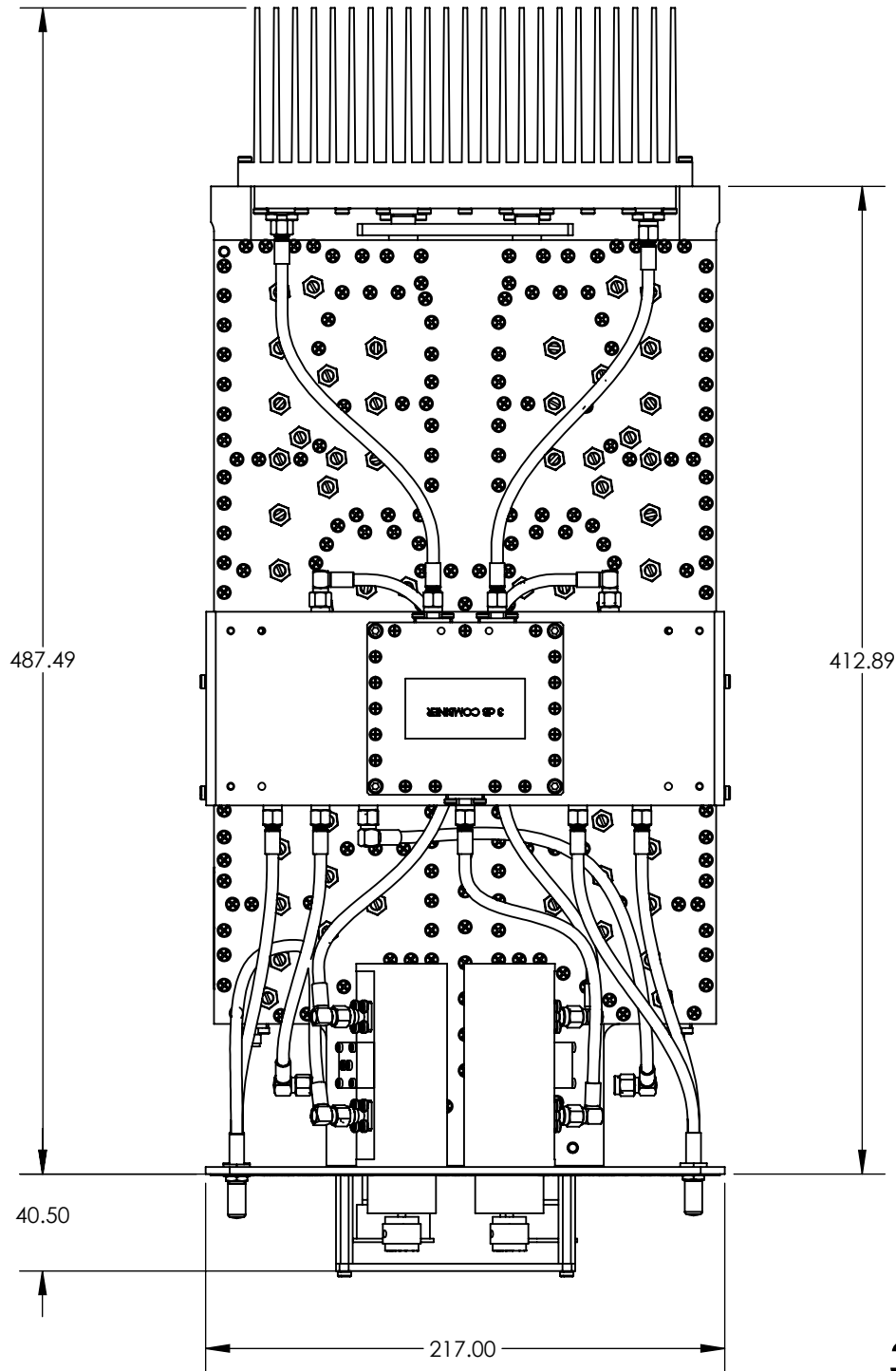
1

D

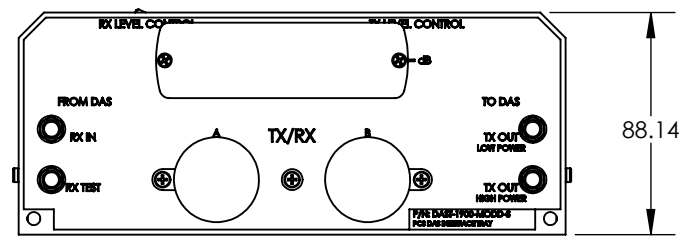
C



B

A



301-0186-03



ALL COMPONENTS AND PROCESSES TO BE RoHS 6/6 COMPLIANT.		NAME	DATE	 COMMUNICATION COMPONENT FILTERS, INC. 145 BATCHELDER RD. SEABROOK, NH 03874
MATERIAL:	UNLESS OTHERWISE SPECIFIED:	DRAWN	T.FERRELL	
	DIMENSIONS ARE IN mm	MECH ENG.		
	TOLERANCES:	ELEC ENG.		
	0 PLACE ± 2.5	WEIGHT: (8734.7 g.)		TITLE:
	1 PLACE ± 0.4	SURFACE AREA: (1438546.9 sq mm.)		OUTLINE DRAWING, MODD-S
	2 PLACE ± 0.10	 THIRD ANGLE PROJECTION		SIZE B
	ANGULAR ± 0.5°			DWG. NO.
	SURFACE FINISH: 1.5µm	PROJECT NO:		SHEET 3 OF 5
PROPRIETARY AND CONFIDENTIAL THE INFORMATION CONTAINED IN THIS DRAWING IS THE SOLE PROPERTY OF COMMUNICATION COMPONENT FILTERS, INC. ANY REPRODUCTION IN PART OR AS A WHOLE WITHOUT THE WRITTEN PERMISSION OF COMMUNICATION COMPONENT FILTERS, INC. IS PROHIBITED.		SCALE: 1:3		

8

7

6

5

4

3

2

1

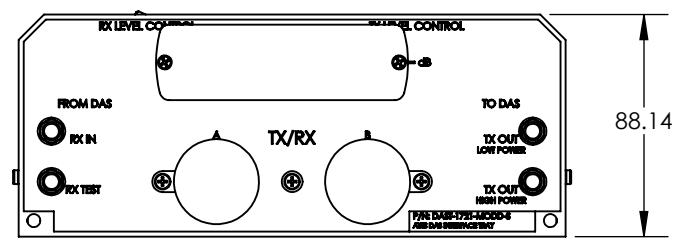
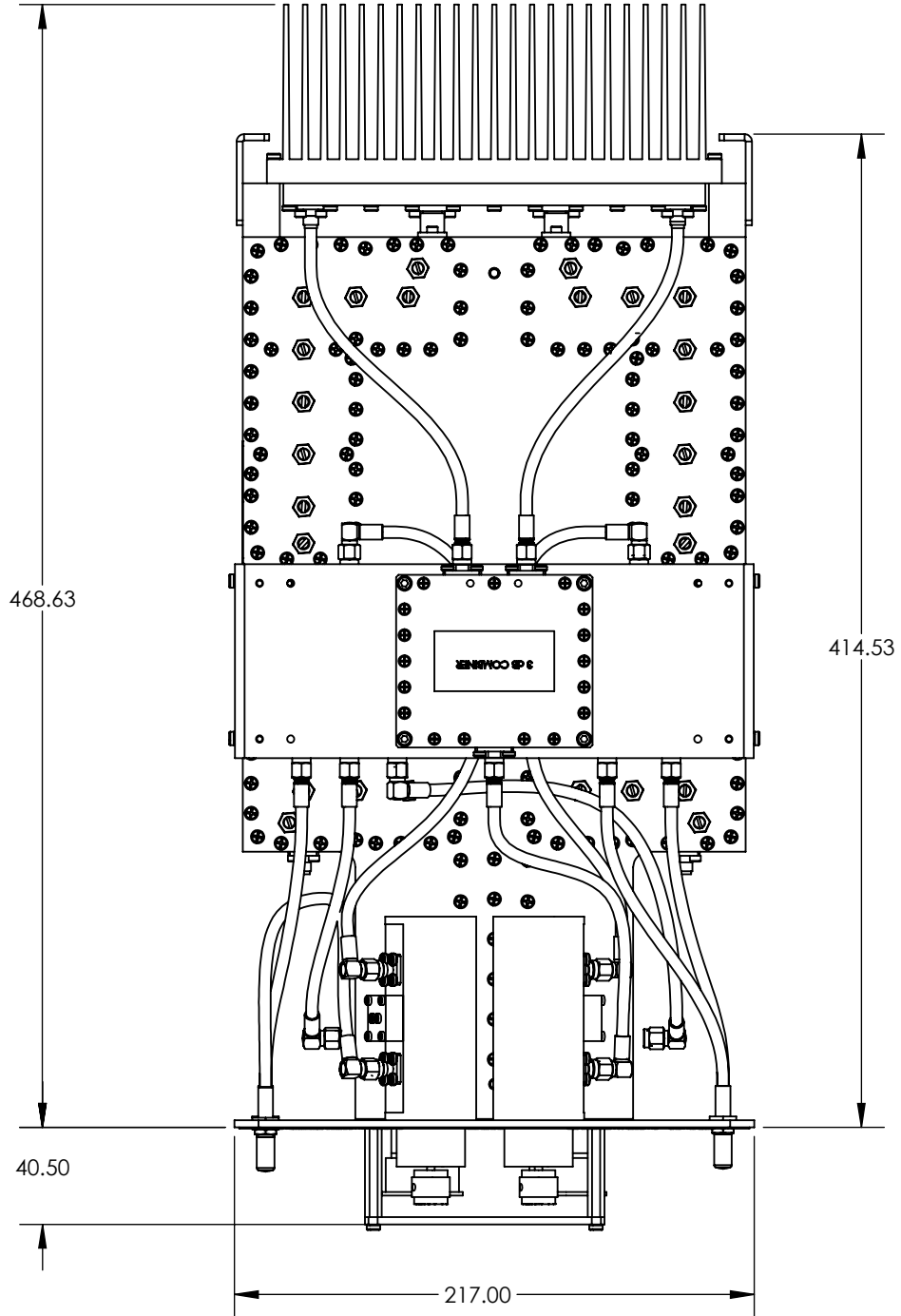
D

C



B

A

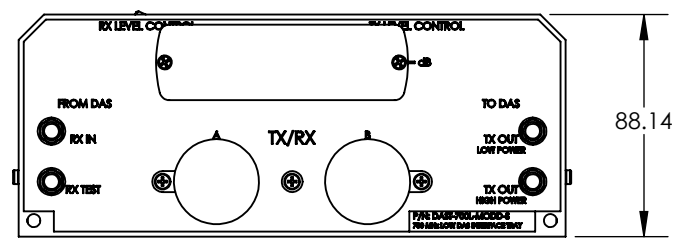
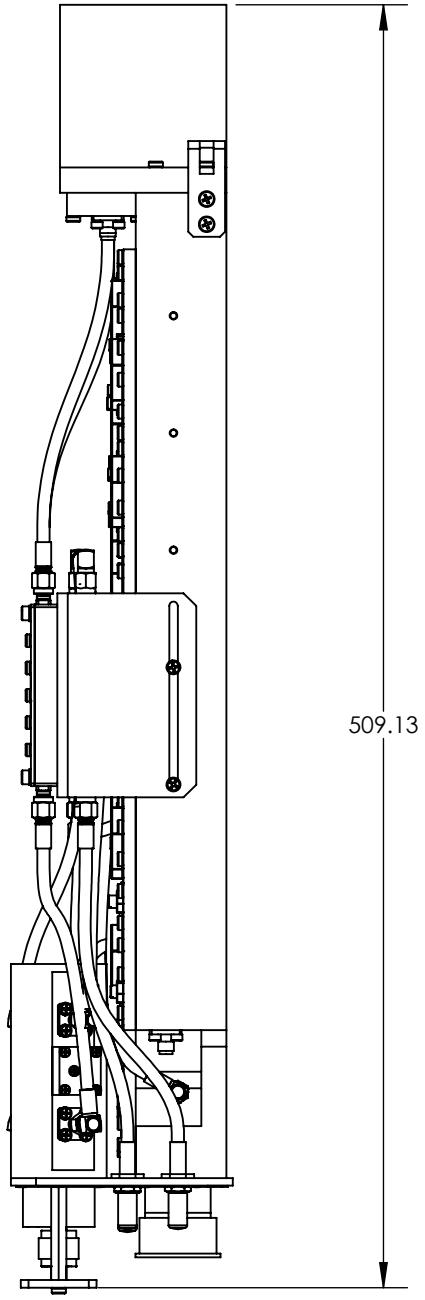
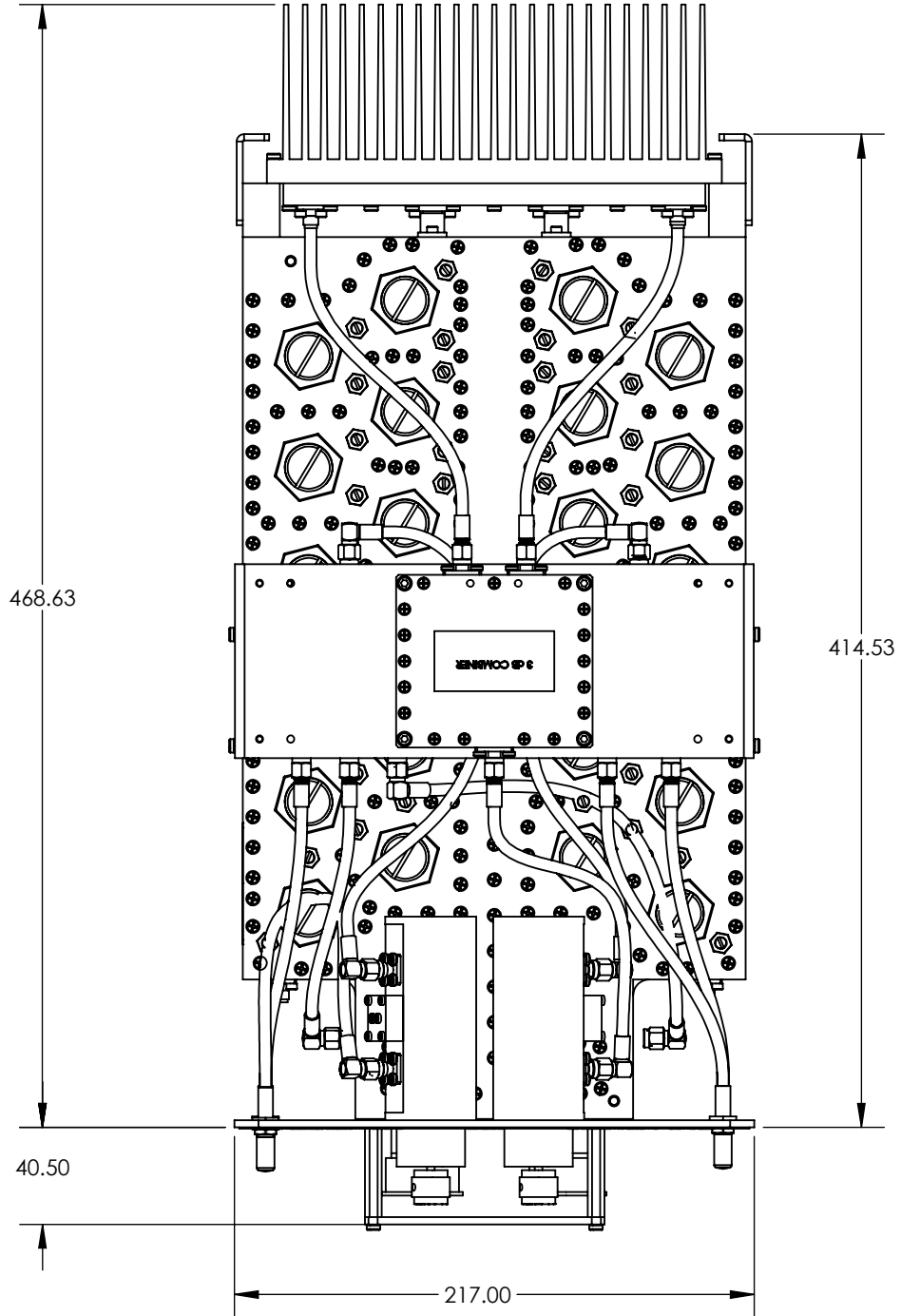
D
C
B
A





301-0186-04

ALL COMPONENTS AND PROCESSES TO BE RoHS 6/6 COMPLIANT.		NAME	DATE	 COMMUNICATION COMPONENT FILTERS, INC. 145 BATCHELDER RD. SEABROOK, NH 03874
MATERIAL:	UNLESS OTHERWISE SPECIFIED:	DRAWN	T.FERRELL	
	DIMENSIONS ARE IN mm	MECH ENG.		TITLE:
	TOLERANCES:	ELEC ENG.		OUTLINE DRAWING, MODD-S
	0 PLACE ± 2.5	WEIGHT: (8734.7 g.)		
	1 PLACE ± 0.4	SURFACE AREA: (1438546.9 sq mm.)		
	2 PLACE ± 0.10	 THIRD ANGLE PROJECTION		SIZE B
	ANGULAR ± 0.5°			DWG. NO.
	SURFACE FINISH: 1.5µm	PROJECT NO:		SHEET 4 OF 5
FINISH:				SCALE: 1:3
PROPRIETARY AND CONFIDENTIAL THE INFORMATION CONTAINED IN THIS DRAWING IS THE SOLE PROPERTY OF COMMUNICATION COMPONENT FILTERS, INC. ANY REPRODUCTION IN PART OR AS A WHOLE WITHOUT THE WRITTEN PERMISSION OF COMMUNICATION COMPONENT FILTERS, INC. IS PROHIBITED.				

D
C
B
A



301-0186-05

ALL COMPONENTS AND PROCESSES TO BE RoHS 6/6 COMPLIANT.		NAME	DATE	 COMMUNICATION COMPONENT FILTERS, INC. 145 BATCHELDER RD. SEABROOK, NH 03874
MATERIAL:	UNLESS OTHERWISE SPECIFIED:	DRAWN	T.FERRELL	
	DIMENSIONS ARE IN mm	MECH ENG.		
	TOLERANCES:	ELEC ENG.		
	0 PLACE ± 2.5	WEIGHT: (8734.7 g.)		TITLE:
	1 PLACE ± 0.4	SURFACE AREA: (1438546.9 sq mm.)		OUTLINE DRAWING, MODD-S
	2 PLACE ± 0.10	 THIRD ANGLE PROJECTION		SIZE B
	ANGULAR ± 0.5°			DWG. NO.
	SURFACE FINISH: 1.5µm	PROJECT NO:		SHEET 5 OF 5
PROPRIETARY AND CONFIDENTIAL THE INFORMATION CONTAINED IN THIS DRAWING IS THE SOLE PROPERTY OF COMMUNICATION COMPONENT FILTERS, INC. ANY REPRODUCTION IN PART OR AS A WHOLE WITHOUT THE WRITTEN PERMISSION OF COMMUNICATION COMPONENT FILTERS, INC. IS PROHIBITED.		SCALE: 1:3		