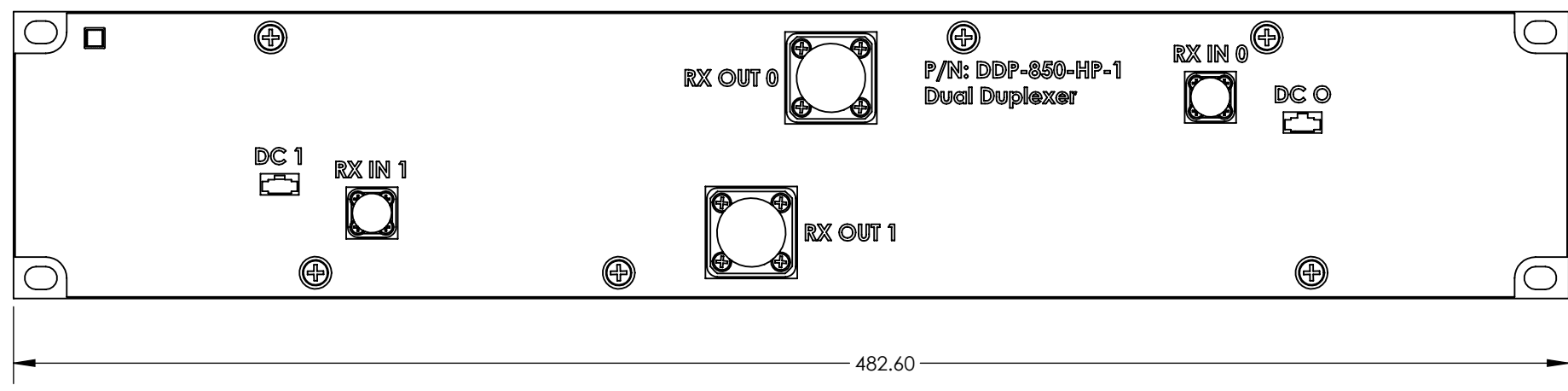
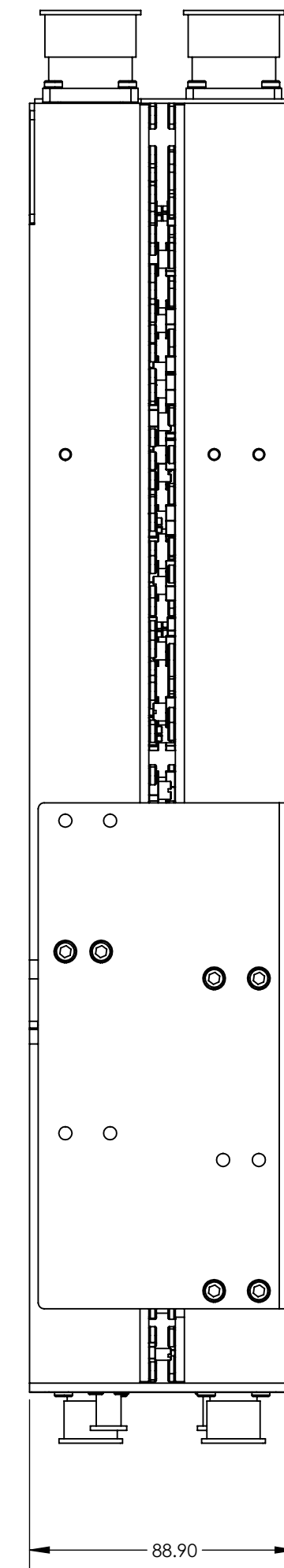
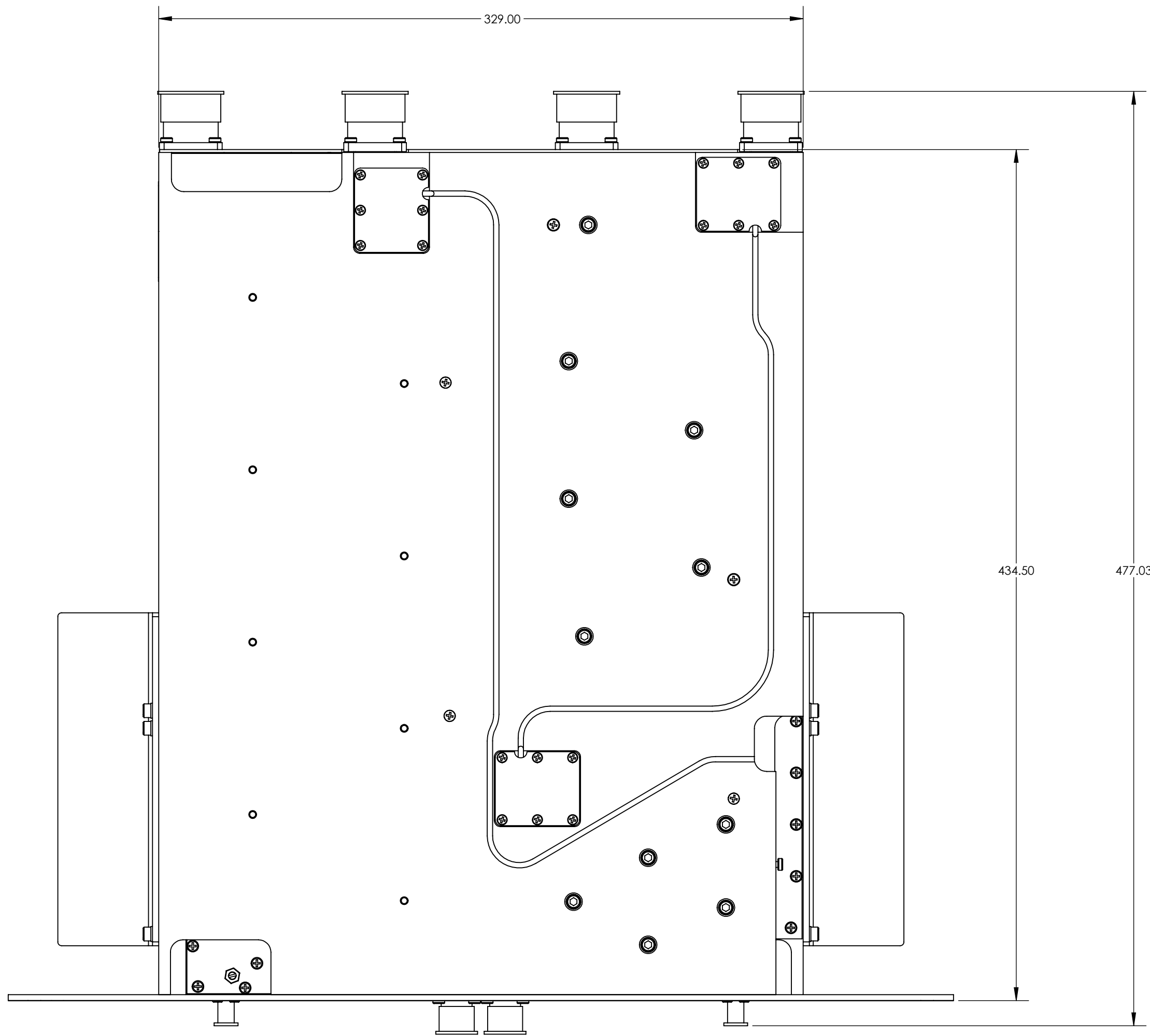



F
E
D
C
B
A



ALL COMPONENTS AND PROCESSES TO BE RoHS 6/6 COMPLIANT.		NAME	DATE	 COMMUNICATION COMPONENT FILTERS, INC. 145 BATCHELDER RD. SEABROOK, NH 03874	
MATERIAL:	UNLESS OTHERWISE SPECIFIED:	DRAWN	HAP		9/12/07
	DIMENSIONS ARE IN mm	MECH ENG.	HAP		9/12/07
	TOLERANCES:	ELEC ENG.			
FINISH:	0 PLACE ± 2.5	WEIGHT: (15614.2 g.)		TITLE:	
	1 PLACE ± 0.4	SURFACE AREA: (2853036.7 sq mm.)		TOP LEVEL ASSY, 850 DDP	
	2 PLACE ± 0.10	THIRD ANGLE PROJECTION		SIZE C DWG. NO. 100-0022 REV K	
	ANGULAR ± 0.5°	PROJECT NO: 013		SCALE: 0.35:1 SHEET 2 OF 2	
	SURFACE FINISH: 1.5µm				

PROPRIETARY AND CONFIDENTIAL
 THE INFORMATION CONTAINED IN THIS DRAWING IS THE SOLE PROPERTY OF COMMUNICATION COMPONENT FILTERS, INC. ANY REPRODUCTION IN PART OR AS A WHOLE WITHOUT THE WRITTEN PERMISSION OF COMMUNICATION COMPONENT FILTERS, INC. IS PROHIBITED.