



Overview

- Eight foot (2.4 m), eight port antenna with a 65° azimuth beamwidth covering 698-787 MHz, 824-894 MHz and 1710-2360 MHz
- Four high band and four low band ports including the WCS band in a single antenna
- Sharp elevation beamwidth aides in network planning
- Optimal elevation sidelobe performance
- Enhanced array spacing ensures optimal MIMO performance
- Exceeds minimum PIM performance requirements
- Multi-network solution in one radome with eight ports
- Reduces tower load and increases space for tower mounted remote radio heads
- Multi-band design improves site radio resource management
- Field replaceable, integrated AISG 2.0 compliant Remote Electrical Tilt (RET) system with independent tilt control for each paired port

The CCI OctoPort multi-band array is an eight port antenna with full Wireless Communication Service (WCS) band coverage. With four high band ports covering 1710-2360 MHz, two ports covering 698-787 MHz and two ports covering 824-894 MHz, this eight foot (2.4 m) CCI OctoPort provides the capability to deploy 4x4 Multiple-input Multiple-output (MIMO) in the high band. The OctoPort allows separate tilt control for each pair of ports enabling maximum flexibility in network deployment.

CCI has engineered its antennas using new and innovative design techniques to provide optimal sidelobe performance, sharp elevation beams, and high front to back ratio.

Multiple technologies can now be connected to a single antenna, reducing tower load, lease expense, deployment time and installation cost.

CCI antennas are designed and produced to ISO 9001 certification standards for reliability and quality in our state-of-the-art manufacturing facilities.

Applications

- 4x4 MIMO for the high band and 2x2 MIMO for each of the low bands
- Increase capacity without adding antennas
- Deploy WCS band without increasing antenna count
- Cosite current, and next-generation basestation technologies on the same antenna



OctoPort Multi-Band Antenna

OPA-65R-LCUU-H8

SPECIFICATIONS

Electrical

Ports	2 x Low Band Ports for 698-787 MHz	2 x Low Band Ports for 824-894 MHz	4 x High Band Ports for 1710-2360 MHz			
Frequency Range	698-787 MHz	824-894 MHz	1850-1990 MHz	1710-1755/2110-2170 MHz	2305-2360 MHz	
Gain	14.7 dBi	15.5 dBi	17.0 dBi	16.5 dBi	17.2 dBi	17.1 dBi
Azimuth Beamwidth (-3dB)	65°	61°	62°	67°	64°	61°
Elevation Beamwidth (-3dB)	10.1°	8.5°	5.6°	6.2°	5.0°	4.5°
Electrical Downtilt	2° to 10°	2° to 10°	0° to 8°	0° to 8°	0° to 8°	0° to 8°
Elevation Sidelobes (1st Upper)	< -17 dB	< -17 dB	< -19 dB	< -18 dB	< -18 dB	< -17 dB
Front-to-Back Ratio @180°	> 28 dB	> 28 dB	> 35 dB	> 35 dB	> 35 dB	> 35 dB
Front-to-Back Ratio over ± 20°	> 28 dB	> 27 dB	> 28 dB	> 27 dB	> 27 dB	> 28 dB
Cross-Polar Discrimination (at Peak)	> 24 dB	> 20 dB	> 25 dB	> 25 dB	> 25 dB	> 25 dB
Cross-Polar Discrimination (at ± 60°)	> 16 dB	> 14 dB	> 18 dB	> 18 dB	> 18 dB	> 18 dB
Cross-Polar Port-to-Port Isolation	> 25 dB	> 25 dB	> 25 dB	> 25 dB	> 25 dB	> 25 dB
Voltage Standing Wave Ratio(VSWR)	< 1.5:1	< 1.5:1	< 1.5:1	< 1.5:1	< 1.5:1	< 1.5:1
Passive Intermodulation (2x20W)	≤ -150 dBc	≤ -150 dBc	≤ -150 dBc	≤ -150 dBc	≤ -150 dBc	≤ -150 dBc
Input Power Continuous Wave (CW)	500 watts	500 watts	300 watts	300 watts	300 watts	300 watts
Polarization	Dual Pol 45°	Dual Pol 45°	Dual Pol 45°	Dual Pol 45°	Dual Pol 45°	Dual Pol 45°
Input Impedance	50 ohms	50 ohms	50 ohms	50 ohms	50 ohms	50 ohms
Lightning Protection	DC Ground	DC Ground	DC Ground	DC Ground	DC Ground	DC Ground

Mechanical

Dimensions (LxWxD)	92.8x14.4x7.3 in (2358x366x185 mm)
Survival Wind Speed	> 150 mph (> 241 kph)
Front Wind Load	327 lbs (1455 N) @ 100 mph (161 kph)
Side Wind Load	191 lbs (849 N) @ 100 mph (161 kph)
Equivalent Flat Plate Area	12.8 ft ² (1.2 m ²)
Weight *	64.3 lbs (29.2 kg)
RET System Weight	6.6 lbs (3.0 kg)
Connector	8 x 7-16 DIN female long neck
Mounting Pole	2 to 5 in (5 to 12 cm)

* Weight excludes mounting and RET



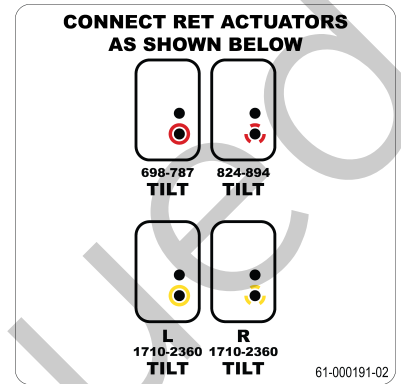
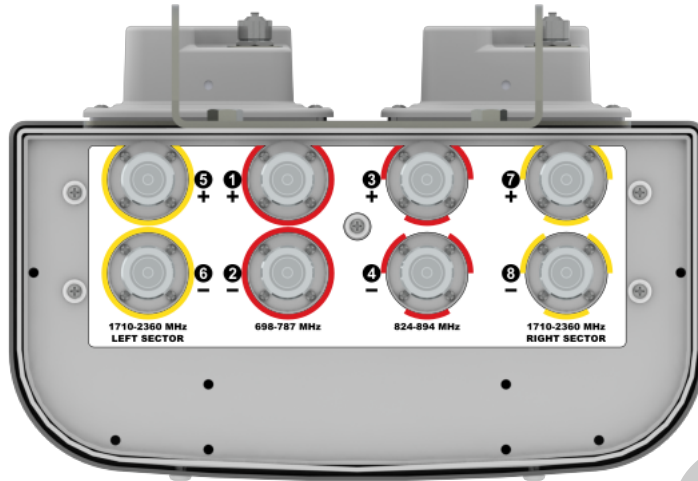
OctoPort Multi-Band Antenna

OPA-65R-LCUU-H8

SPECIFICATIONS

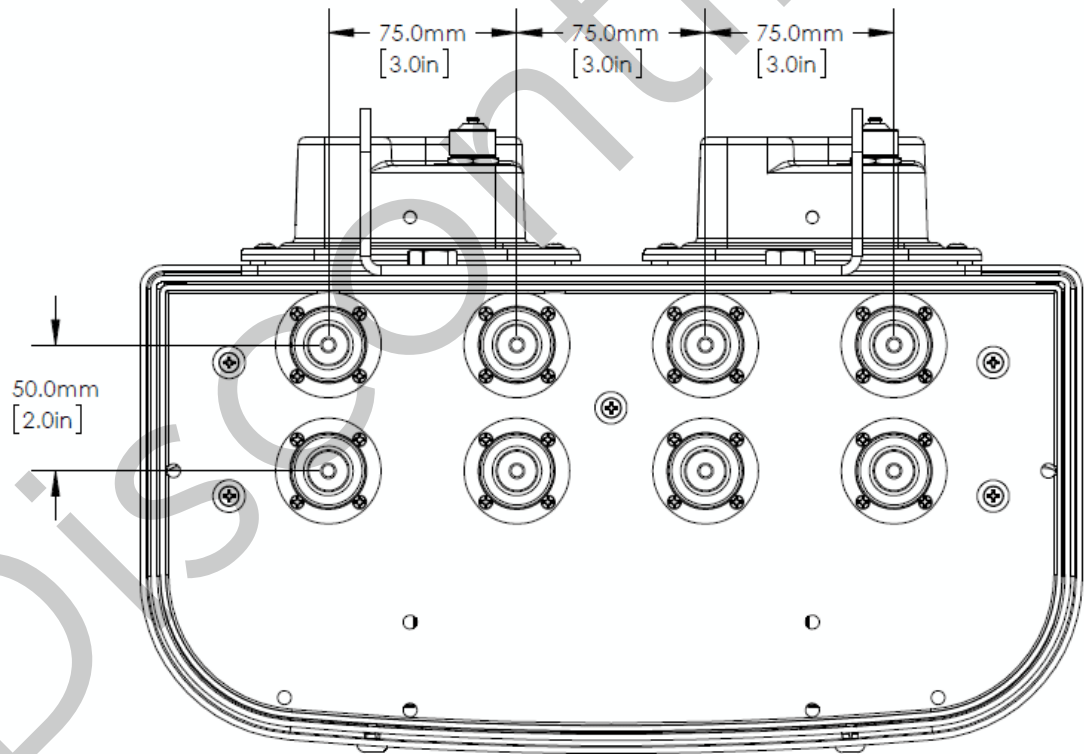
Bottom View

RET Connection Diagram



Mechanical

Connector Spacing





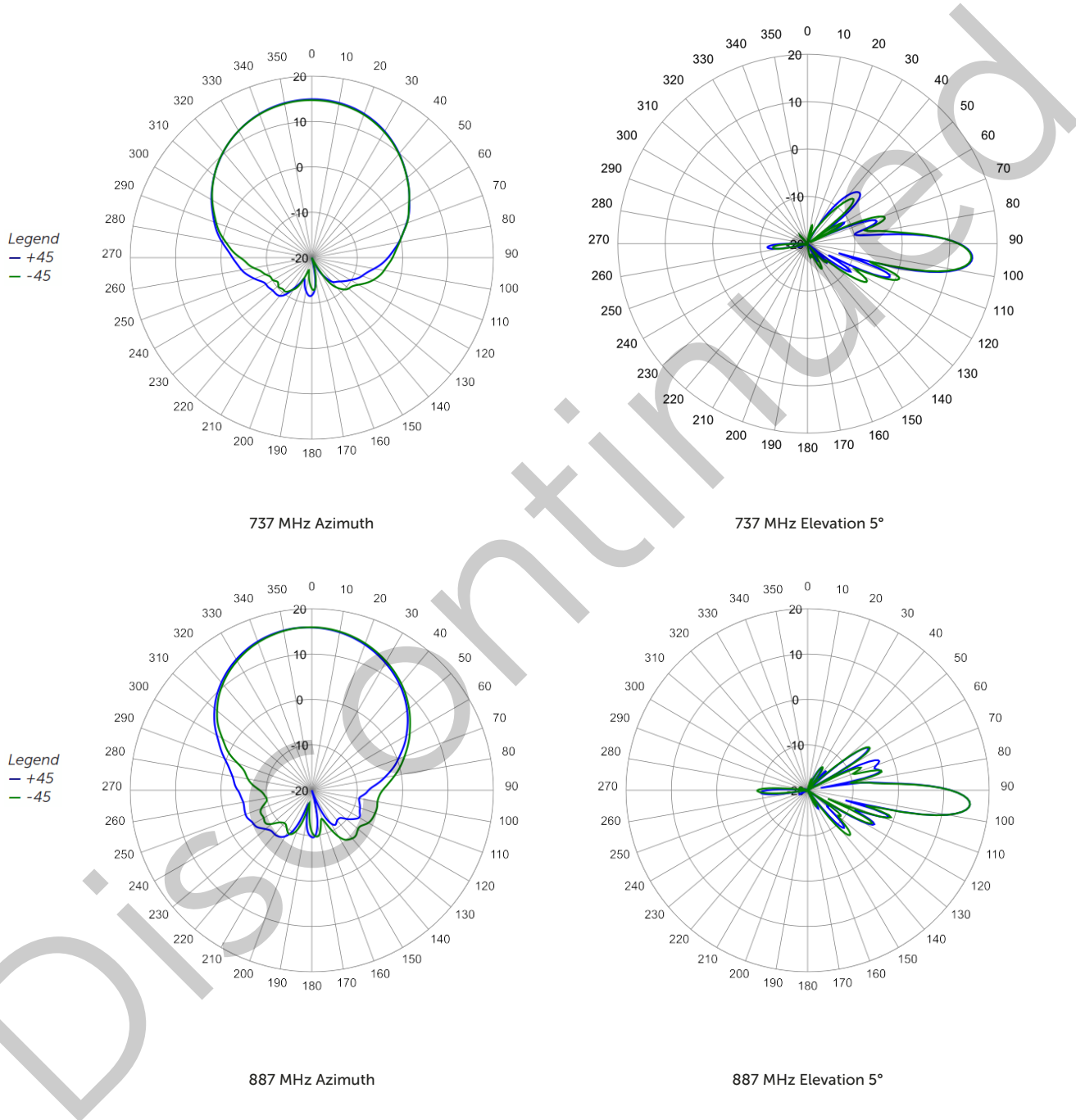
OctoPort Multi-Band Antenna

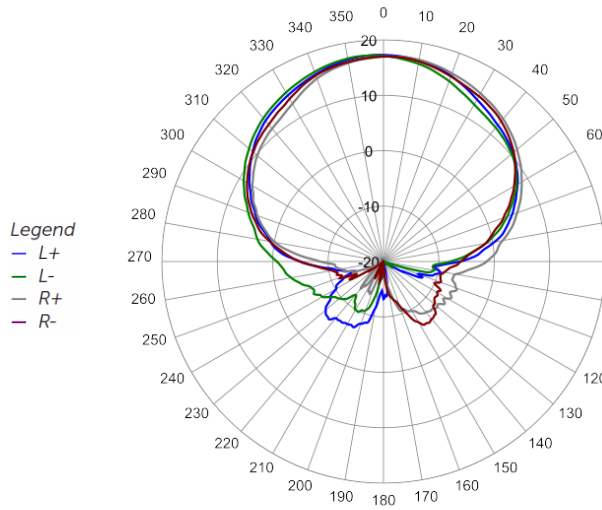
OPA-65R-LCUU-H8

SPECIFICATIONS

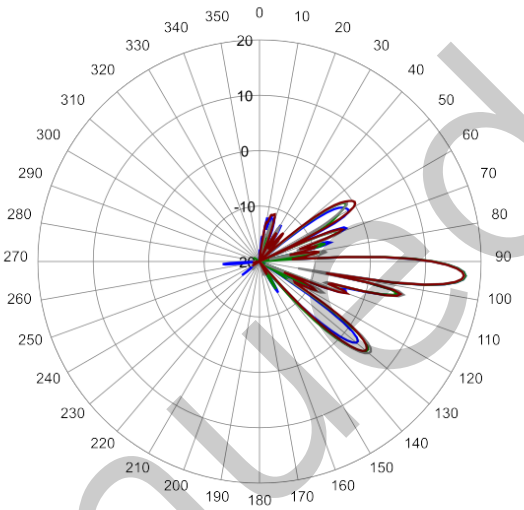
Typical Antenna Patterns

For detailed information on additional antenna patterns, contact customer support at support@cciproducts.com





1920 MHz Azimuth



1920 MHz Elevation 4°

Legend
— L+
— L-
— R+
— R-



ORDERING

OctoPort Multi-Band Antenna

OPA-65R-LCUU-H8

Parts & Accessories

OPA-65R-LCUU-H8	Eight foot (2.4 m) OctoPort antenna with 65° azimuth beamwidth and 4 factory installed BSA-RET200 RET actuators
OPA-65R-LCUU-H8-K	Antenna kit with 4 factory installed RET actuators and MBK-01 mounting bracket
MBK-01	Mounting bracket kit (top and bottom) with 0° to 10° mechanical tilt adjustment
TM-01	Optional triple mount mast bracket for mounting up to three 65° antennas on a pole (or mast).
BSA-RET200	Remote electrical tilt actuator
OPA-CBK-AG-RRU	OctoPort antenna to RRU AISG cable kit
OPA-CBK-RA-AG-RRU	OctoPort antenna to RRU AISG right angle cable kit

Discontinued

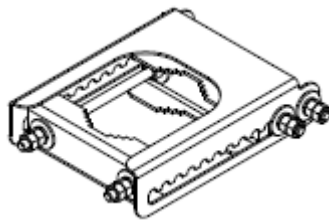


Mounting Bracket Kit

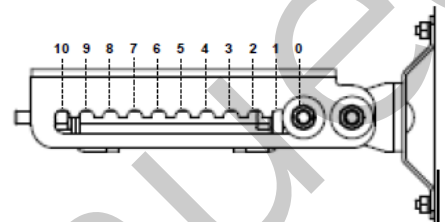
MBK-01

Mechanical

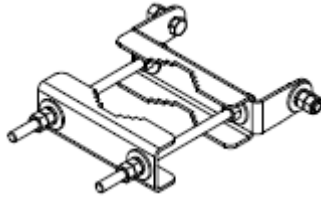
Weight	12.6 lbs (5.7 kg)
Hinge Pitch	47.25 in (1200 mm)
Mounting Pole Dimension	2 to 5 in (5 to 12 cm)
Fastener Size	M12
Installation Torque	40 ft·lb (54 N·m)
Mechanical Tilt Adjustment	0° - 10°



MBK-01 Top Adjustable Bracket



MBK-01 Top Adjustable Bracket Side View



MBK-01 Bottom Fixed Bracket

Discontinued

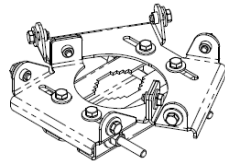


Triple Mount Cluster Bracket

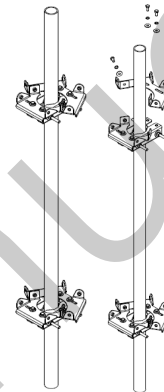
TM-01

Mechanical

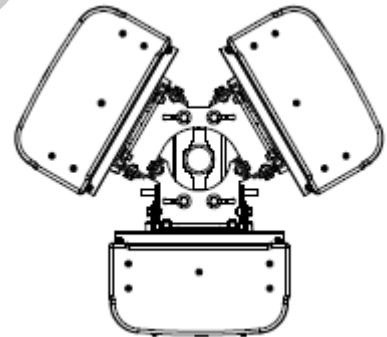
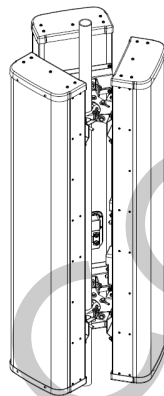
Weight	21.6 lbs (9.8 kg)
Fastener Size	M10
Installation Torque	40 ft-lb (54 N-m)
Hinge Pitch (Vertical)	13.0 in (330 mm) or 31.5 in (800 mm) or 47.2 in (1200 mm)
Mechanical Tilt Adjustment	None



TM-01 Bracket



TM-01 Mounting Brackets (on Pole)



3 - 65° Antennas Mounted on Pole using TM-01 Brackets (Iso and Top Views)



Remote Electrical Tilt Actuator (RET)

BSA-RET200

General Specifications

Part Number	BSA-RET200
Protocols	AISG 2.0
RET Type	Type 1
Adjustment Cycles	>10,000 cycles
Tilt Accuracy	±0.1°
Temperature Range	-40° C to 70° C

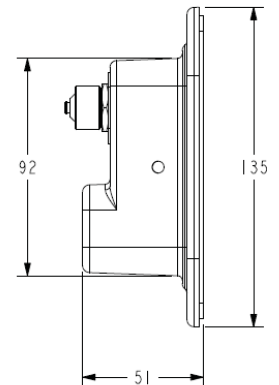
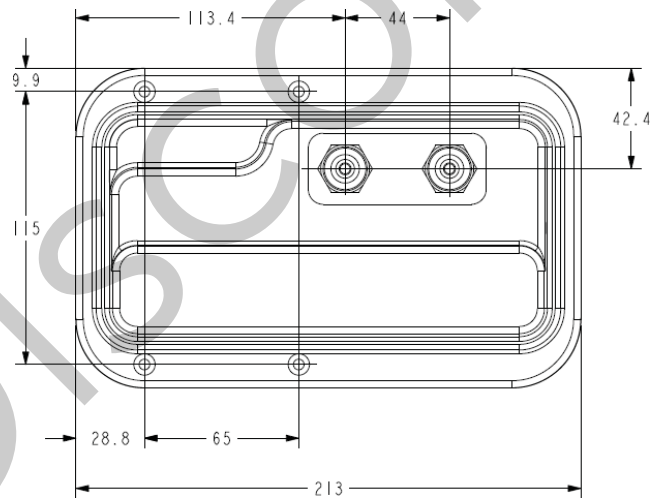
Electrical

Data Interface Signal	DC
Input Voltage	10-30 Vdc
Current Consumption Tilt	120 mA at $V_{in}=24$
Current Consumption Idle	55 mA at $V_{in}=24$
Hardware Interface	AISG-RS 485 A/B
Input Connector	Male 1 × 8 pin Daisy Chain
Output Connector	Female 1 × 8 pin Daisy Chain

Mechanical

Dimensions (LxWxD)	8.0x5.0x2.0 in. (213x135x51 mm)
Housing	ASA/ABS/Aluminum
Weight	1.7 lbs (0.75 kg)

ASA= Acrylic Styrene Acrylonitrile
ABS=Acrylonitrile Butadiene Styrene





AISG Cable Kit

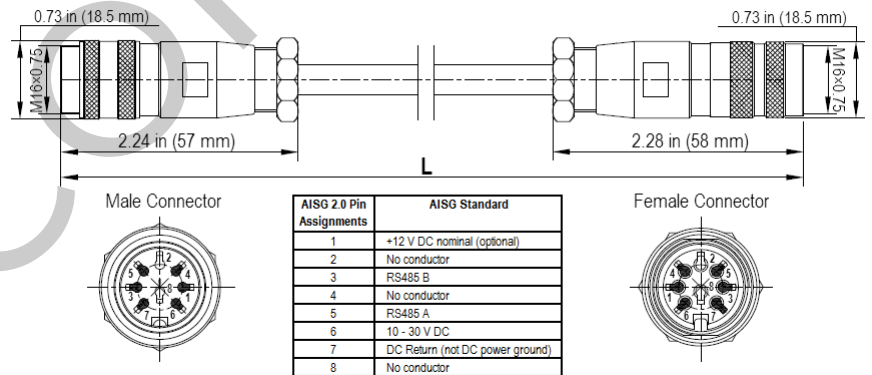
OPA-CBK-AG-RRU

Electrical Specifications

Individual Cable Part Number	AISGC-M-F-18	AISGC-M-F-10FT
Cable style	UL2464	UL2464
Protocol	AISG 1.1 and AISG 2.0	AISG 1.1 and AISG 2.0
Maximum voltage	300 V	300 V
Rated current	5 A at 104° F (40° C)	5 A at 104° F (40° C)

Mechanical Specifications

Individual Cable Part Number	AISGC-M-F-18	AISGC-M-F-10FT
Cables per kit	3	2
Connectors	2 x 8 pin IEC 60130-9 Straight male/straight female	2 x 8 pin IEC 60130-9 Straight male/straight female
Tightening torque	Hand tighten only ≈ 1.84 ft-lbs (2.5 N-m)	Hand tighten only ≈ 1.84 ft-lbs (2.5 N-m)
Construction	Shielded (Tinned Copper Braid)	Shielded (Tinned Copper Braid)
Braid coverage	85%	85%
Jacket Material	Matte Polyurethane (Black)	Matte Polyurethane (Black)
Conductors	1 twisted pair - 24 AWG 3 conductors - 19 AWG AWM style 2464	1 twisted pair - 24 AWG 3 conductors - 19 AWG AWM style 2464
Cable Diameter	0.307 in (7.8 mm)	0.307 in (7.8 mm)
Length	18 - 20 in (457 - 508 mm)	120 in (3048 mm)
Weight	0.27 lbs (0.12 kg)	0.69 lbs (.31 kg)
Minimum bend radius	3.9 in (100 mm)	3.9 in (100 mm)



AISG-Male to AISG-Female Jumper Cable

Environmental Specifications

Individual Cable Part Number	AISGC-M-F-18	AISGC-M-F-10FT
Temperature Range	-40° to 80° C	-40° to 80° C
Flammability	UL 1581 VW-1	UL 1581 VW-1
Ingress Protection	IEC 60529:2001, IP67	IEC 60529:2001, IP67

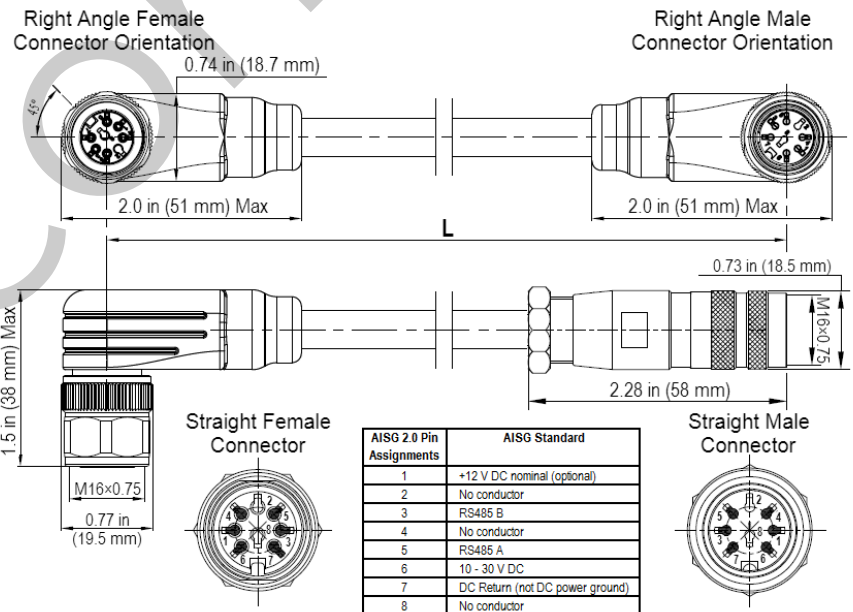


Electrical Specifications

Individual Cable Part Number	AISGC-MRA-FRA-20	AISGC-M-FRA-10FT
Cable style	UL2464	UL2464
Protocol	AISG 1.1 and AISG 2.0	AISG 1.1 and AISG 2.0
Maximum voltage	300 V	300 V
Rated current	5 A at 104° F (40° C)	5 A at 104° F (40° C)

Mechanical Specifications

Individual Cable Part Number	AISGC-MRA-FRA-20	AISGC-M-FRA-10FT
Cables per kit	3	2
Connectors	2 x 8 pin IEC 60130-9 Right angle male/right angle female	2 x 8 pin IEC 60130-9 Straight male/right angle female
Tightening torque	Hand tighten only \approx 1.84 ft-lbs (2.5 N-m)	Hand tighten only \approx 1.84 ft-lbs (2.5 N-m)
Construction	Shielded (Tinned Copper Braid)	Shielded (Tinned Copper Braid)
Braid coverage	85%	85%
Jacket Material	Matte Polyurethane (Black)	Matte Polyurethane (Black)
Conductors	1 twisted pair - 24 AWG 3 conductors - 19 AWG AWM style 2464	1 twisted pair - 24 AWG 3 conductors - 19 AWG AWM style 2464
Cable Diameter	0.307 in (7.8 mm)	0.307 in (7.8 mm)
Length	20 in (508 mm)	120 in (3048 mm)
Weight	0.23 lbs (0.10 kg)	0.77 lbs (0.35 kg)
Minimum bend radius	3.9 in (100 mm)	3.9 in (100 mm)



Right Angle to Right Angle and Right Angle to Straight Jumper Cable



Environmental Specifications

Individual Cable Part Number	AISGC-MRA-FRA-20	AISGC-M-FRA-10FT
Temperature Range	-40° to 80° C	-40° to 80° C
Flammability	UL 1581 VW-1	UL 1581 VW-1
Ingress Protection	IEC 60529:2001, IP67	IEC 60529:2001, IP67

Discontinued



STANDARDS & CERTIFICATIONS

OctoPort Multi-Band Antenna

OPA-65R-LCUU-H8

Standards & Compliance

Safety	EN 60950-1, UL 60950-1
Emission	EN 55022
Immunity	EN 55024
Environmental	IEC 60068-2-1, IEC 60068-2-2, IEC 60068-2-5, IEC 60068-2-6, IEC-60068-2-11, IEC 60068-2-14, IEC 60068-2-18, IEC 60068-2-27, IEC 60068-2-29, IEC 60068-02-30, IEC 60068-2-52, IEC 60068-2-64, GR-63-CORE 4.3.1, EN 60529, IP 24

Certifications

Antenna Interface Standards Group (AISG), Federal Communication Commission (FCC) Part 15 Class B, CE, CSA US, ISO 9001



Discontinued